

RADIAL CHOKE COIL

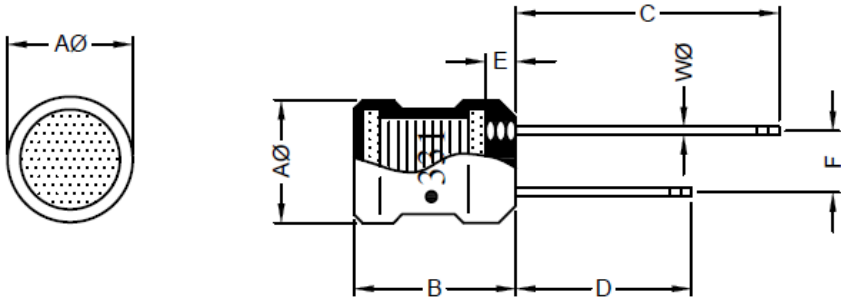
SERIE: BCR0610 10,0 x 6,7 mm

DIMENSIONS:

VPE: 400pcs. Try



RoHS Compliant



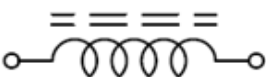
Marking :

" ● " : Start

Unit:m/m

AØ	B	C	D	E	F	WØ
6.70±0.5	10.00±1.0	25.00±5.0	18.00±5.0	2.50 Max.	3.00±0.5	0.65 Ref.

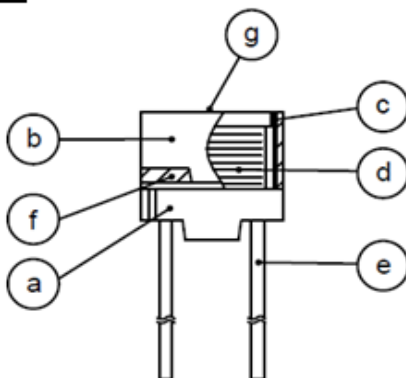
SCHEMATIC:



GENERAL SPECIFICATION :

1. The inductance drop at rated is 10% max.
2. Temp. rise. 40°C max. at rated current.
3. Storage temp.: -40°C.....+125°C
4. Operating temp.: -40°C..... +85°C

MATERIALS:



- (a) DR CORE
- (b) RI CORE
- (c) SLEEVE
- (d) WIRE
- (e) LEAD
- (f) ADHESIVE
- (g) INK

NOTE : Specifications subject to change without notice. Please check our website for latest information

RADIAL CHOKE COIL

SERIE: BCR0610 10,0 x 6,7 mm



COILS ■ ELEKTRONIK ■ TRANSFORMERS

ELECTRICAL CHARACTERISTICS

Part. No	Inductance (μH) 10%	Q	Test Frequency (Hz)	SRF (MHz.)	RDC (Ω) Max.	IDC (mA) Max.
----------	--	---	---------------------------	---------------	-----------------------------	---------------------

BCR0610 - 100SWE	10,0	20	1V/2,52M	16,0	0,07	1,1
BCR0610 - 120SWE	12,0	20	1V/2,52M	12,0	0,08	1
BCR0610 - 150SWE	15,0	20	1V/2,52M	10,0	0,09	0,9
BCR0610 - 180SWE	18,0	20	1V/2,52M	10,0	0,10	0,75
BCR0610 - 220SWE	22,0	20	1V/2,52M	9,0	0,12	0,7
BCR0610 - 270SWE	27,0	20	1V/2,52M	8,0	0,13	0,65
BCR0610 - 330SWE	33,0	20	1V/7,96M	7,0	0,15	0,6
BCR0610 - 390SWE	39,0	20	1V/7,96M	6,0	0,16	0,55
BCR0610 - 470SWE	47,0	20	1V/7,96M	6,0	0,18	0,45
BCR0610 - 560SWE	56,0	20	1V/7,96M	5,0	0,21	0,4
BCR0610 - 680SWE	68,0	20	1V/7,96M	5,0	0,24	0,36
BCR0610 - 820SWE	82,0	20	1V/2,52M	5,0	0,35	0,34
BCR0610 - 101SWE	100,0	20	1V/2,52M	4,0	0,40	0,32
BCR0610 - 121SWE	120,0	20	1V/2,52M	4,0	0,45	0,3
BCR0610 - 151SWE	150,0	20	1V/2,52M	3,5	0,50	0,28
BCR0610 - 181SWE	180,0	20	1V/2,52M	3,0	0,75	0,26
BCR0610 - 221SWE	220,0	20	1V/2,52M	3,0	0,90	0,24
BCR0610 - 271SWE	270,0	20	1V/2,52M	2,5	1,00	0,22
BCR0610 - 331SWE	330,0	20	1V/2,52M	2,5	1,10	0,2
BCR0610 - 391SWE	390,0	20	1V/2,52M	2,0	1,20	0,18
BCR0610 - 471SWE	470,0	20	1V/2,52M	2,0	1,50	0,16
BCR0610 - 561SWE	560,0	20	1V/2,52M	2,0	1,80	0,15

NOTE : Specifications subject to change without notice. Please check our website for latest information