

RADIAL CHOKE COIL

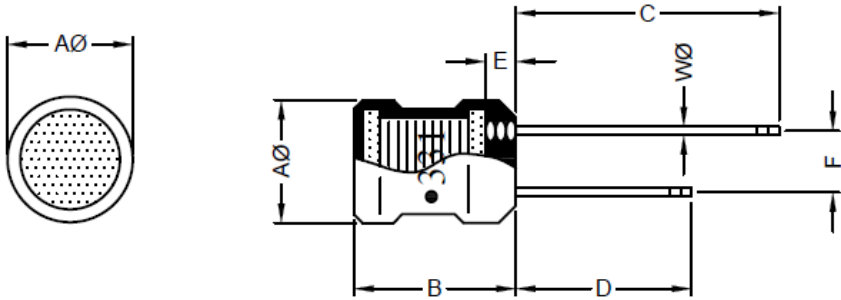
SERIE: BCR0710 10,0 x 6,7 mm

DIMENSIONS:

VPE: 400pcs. Try



RoHS Compliant



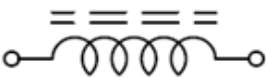
Marking :

" ● " : Start

Unit:m/m

| AØ | B | C | D | E | F | WØ |
|----------|-----------|-----------|-----------|-----------|----------|-----------|
| 6.70±0.5 | 10.00±1.0 | 25.00±5.0 | 18.00±5.0 | 2.50 Max. | 3.00±0.5 | 0.65 Ref. |

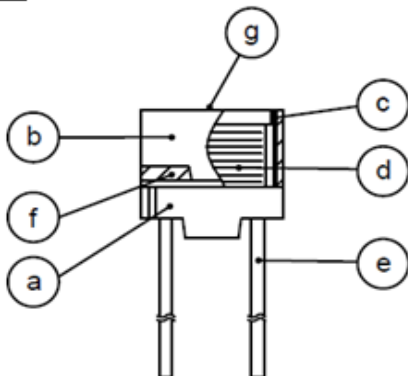
SCHEMATIC:



GENERAL SPECIFICATION :

1. The inductance drop at rated is 10% max.
2. Temp. rise. 40°C max. at rated current.
3. Storage temp.: -40°C.....+125°C
4. Operating temp.: -40°C..... +85°C

MATERIALS:



- (a) DR CORE
- (b) RI CORE
- (c) SLEEVE
- (d) WIRE
- (e) LEAD
- (f) ADHESIVE
- (g) INK

NOTE : Specifications subject to change without notice. Please check our website for latest information

RADIAL CHOKE COIL

SERIE: BCR0710 10,0 x 6,7 mm



ELECTRICAL CHARACTERISTICS

| Part. No | Inductance (μ H) 10% | Q | Test Frequency (Hz) | SRF (MHz.) | RDC (Ω) Max. | IDC (mA) Max. |
|-------------------------|---------------------------------|----|-----------------------------|---------------|-----------------------------|-----------------------|
| BCR0710 - 470SWE | 47,0 | 20 | 1V/0,796M | 6,0 | 0,40 | 450 |
| BCR0710 - 560SWE | 56,0 | 20 | 1V/0,796M | 5,5 | 0,45 | 400 |
| BCR0710 - 680SWE | 68,0 | 20 | 1V/0,796M | 5,0 | 0,50 | 360 |
| BCR0710 - 820SWE | 82,0 | 20 | 1V/0,796M | 4,5 | 0,50 | 340 |
| BCR0710 - 101SWE | 100,0 | 20 | 1V/0,796M | 4,2 | 0,60 | 320 |
| BCR0710 - 121SWE | 120,0 | 20 | 1V/0,796M | 3,6 | 0,70 | 300 |
| BCR0710 - 151SWE | 150,0 | 20 | 1V/7,96M | 3,4 | 0,90 | 280 |
| BCR0710 - 181SWE | 180,0 | 20 | 1V/7,96M | 3,2 | 1,00 | 260 |
| BCR0710 - 221SWE | 220,0 | 20 | 1V/7,96M | 3,0 | 1,20 | 240 |
| BCR0710 - 271SWE | 270,0 | 20 | 1V/7,96M | 2,8 | 1,40 | 220 |
| BCR0710 - 331SWE | 330,0 | 20 | 1V/7,96M | 2,5 | 1,60 | 200 |
| BCR0710 - 391SWE | 390,0 | 20 | 1V/2,52M | 2,3 | 1,80 | 180 |
| BCR0710 - 471SWE | 470,0 | 20 | 1V/0,796M | 2,2 | 2,00 | 160 |
| BCR0710 - 561SWE | 560,0 | 20 | 1V/0,796M | 2,0 | 2,50 | 150 |
| BCR0710 - 681SWE | 680,0 | 20 | 1V/0,796M | 1,7 | 2,90 | 140 |
| BCR0710 - 821SWE | 820,0 | 20 | 1V/0,796M | 1,5 | 3,10 | 130 |
| BCR0710 - 102SWE | 1000,0 | 20 | 1V/0,252M | 1,4 | 3,90 | 120 |
| BCR0710 - 122SWE | 1200,0 | 20 | 1V/0,252M | 1,1 | 4,40 | 110 |
| BCR0710 - 152SWE | 1500,0 | 20 | 1V/0,252M | 0,9 | 6,00 | 100 |
| BCR0710 - 182SWE | 1800,0 | 20 | 1V/0,252M | 0,8 | 7,00 | 90 |
| BCR0710 - 222SWE | 2200,0 | 20 | 1V/0,252M | 0,75 | 8,00 | 80 |
| BCR0710 - 272SWE | 2700,0 | 20 | 1V/0,252M | 0,70 | 9,00 | 70 |
| BCR0710 - 332SWE | 3300,0 | 50 | 1V/0,252M | 0,60 | 12,00 | 60 |

NOTE : Specifications subject to change without notice. Please check our website for latest information

RADIAL CHOKE COIL

SERIE: BCR0710 10,0 x 6,7 mm



COILS ■ ELEKTRONIK ■ TRANSFORMERS

ELECTRICAL CHARACTERISTICS

| Part. No | Inductance (μ H) 10% | Q | Test Frequency (Hz) | SRF (MHz.) | RDC (Ω) Max. | IDC (mA) Max. |
|-------------------------|---------------------------------|----|-----------------------------|---------------|-----------------------------|-----------------------|
| BCR0710 - 392SWE | 3900,0 | 50 | 1V/0,252M | 0,55 | 14,00 | 55 |
| BCR0710 - 472SWE | 4700,0 | 50 | 1V/0,252M | 0,50 | 16,00 | 50 |
| BCR0710 - 562SWE | 5600,0 | 50 | 1V/0,252M | 0,48 | 18,00 | 45 |
| BCR0710 - 682SWE | 6800,0 | 50 | 1V/0,252M | 0,44 | 24,00 | 40 |
| BCR0710 - 822SWE | 8200,0 | 50 | 1V/0,252M | 0,40 | 30,00 | 36 |
| BCR0710 - 103SWE | 10000,0 | 45 | 1V/0,796M | 0,36 | 39,00 | 34 |
| BCR0710 - 123SWE | 12000,0 | 45 | 1V/0,796M | 0,32 | 46,00 | 32 |
| BCR0710 - 153SWE | 15000,0 | 45 | 1V/0,796M | 0,30 | 54,00 | 30 |
| BCR0710 - 183SWE | 18000,0 | 45 | 1V/0,796M | 0,28 | 76,00 | 27 |
| BCR0710 - 223SWE | 22000,0 | 45 | 1V/0,796M | 0,24 | 92,00 | 25 |
| BCR0710 - 273SWE | 27000,0 | 45 | 1V/0,796M | 0,20 | 102,00 | 22 |
| BCR0710 - 333SWE | 33000,0 | 45 | 1V/0,796M | 0,16 | 140,00 | 20 |
| BCR0710 - 393SWE | 39000,0 | 45 | 1V/0,796M | 0,13 | 150,00 | 18 |
| BCR0710 - 473SWE | 47000,0 | 45 | 1V/0,796M | 0,10 | 162,00 | 16 |

NOTE : Specifications subject to change without notice. Please check our website for latest information