

RADIAL CHOKE COIL

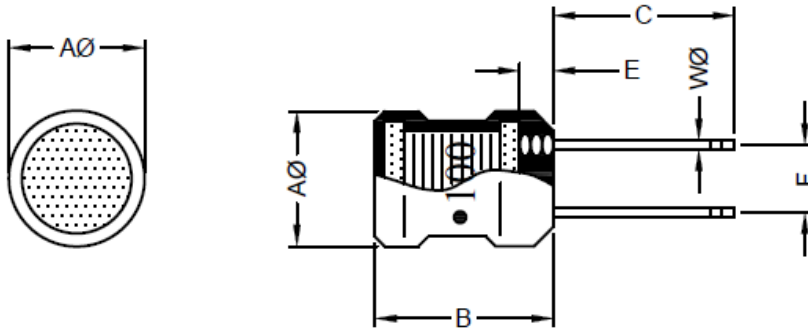
SERIE: BCR0810 10,0 x 8,7 mm

DIMENSIONS:

VPE: 200pcs. Try



RoHS Compliant



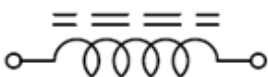
Marking :

" ● " : Start

Unit:m/m

AØ	B	C	E	F	WØ
8.7±0.5	10.00±1.0	5.00±1.0	2.50 Max.	5.00±0.8	0.65 Ref.

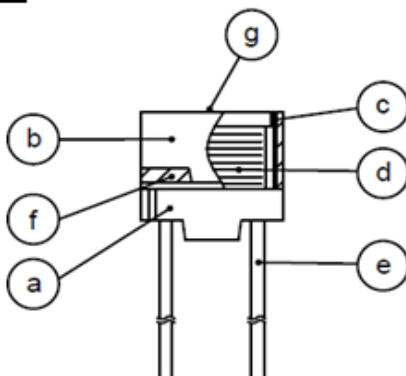
SCHEMATIC:



GENERAL SPECIFICATION :

1. The inductance drop at rated is 10% max.
2. Temp. rise. 40°C max. at rated current.
3. Storage temp.: -40°C.....+125°C
4. Operating temp.: -40°C..... +85°C

MATERIALS:



- (a) DR CORE
- (b) RI CORE
- (c) SLEEVE
- (d) WIRE
- (e) LEAD
- (f) ADHESIVE
- (g) INK

NOTE : Specifications subject to change without notice. Please check our website for latest information

RADIAL CHOKE COIL

SERIE: BCR0810 10,0 x 8,7 mm



ELECTRICAL CHARACTERISTICS

Part. No	Inductance (μ H) 20%	Q	Test Frequency (Hz)	SRF (MHz.)	RDC (Ω) Max.	IDC (A) Max.
----------	---------------------------------	---	-----------------------------	---------------	-----------------------------	----------------------

BCR0810 - 1R5SWE	1,5	30	1V/7,96M	78,0	0,008	5,4
BCR0810 - 2R2SWE	2,2	30	1V/7,96M	63,0	0,010	4,5
BCR0810 - 3R3SWE	3,3	30	1V/7,96M	50,0	0,018	3,6
BCR0810 - 4R7SWE	4,7	30	1V/7,96M	41,0	0,022	3,1
BCR0810 - 6R8SWE	6,8	30	1V/7,96M	33,0	0,028	2,5
BCR0810 - 100SWE	10,0	60	1V/2,52M	27,0	0,043	2,1
BCR0810 - 150SWE	15,0	50	1V/2,52M	21,0	0,056	1,7
BCR0810 - 220SWE	22,0	50	1V/2,52M	17,0	0,086	1,4
BCR0810 - 330SWE	33,0	45	1V/2,52M	13,0	0,14	1,1
BCR0810 - 470SWE	47,0	40	1V/2,52M	11,0	0,17	0,96
BCR0810 - 680SWE	68,0	35	1V/2,52M	9,0	0,28	0,79
BCR0810 - 101SWE	100,0	55	1V/0,796M	7,2	0,33	0,66
BCR0810 - 151SWE	150,0	40	1V/0,796M	5,7	0,56	0,53
BCR0810 - 221SWE	220,0	30	1V/0,796M	4,5	0,72	0,44
BCR0810 - 331SWE	330,0	25	1V/0,796M	3,6	1,10	0,36
BCR0810 - 471SWE	470,0	25	1V/0,796M	2,9	1,70	0,3
BCR0810 - 681SWE	680,0	25	1V/0,796M	2,3	2,30	0,25
BCR0810 - 102SWE	1000,0	55	1V/0,252M	1,9	4,30	0,2

NOTE : Specifications subject to change without notice. Please check our website for latest information