

SMD POWER INDUCTORS" LowProfile"

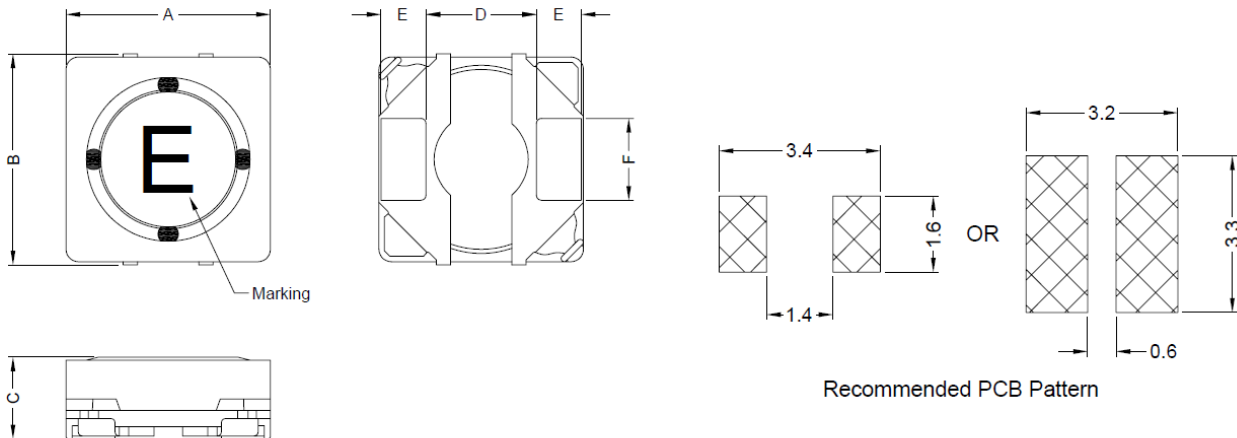
SERIE: DLI3020 3,0 x 3,0 x 2,0 mm

DIMENSIONS:

VPE: 3000 pcs.



RoHS Compliant



Unit:m/m

A	B	C	D	E	F	G
3.0±0.2	3.0±0.3	2.0 Max.	2.1 Typ	0.76 Typ	1.2 Typ	0.7 Typ

SCHEMATIC:



MATERIALS:

Core: Ferrite

GENERAL SPECIFICATION :

1. IDC1: Based on inductance change ($\Delta L/L0A : \leq 30\%$) @ ambient temp. 25°C
2. IDC2: Based on temperature rise ($\Delta T: 40^\circ\text{C Typ.}$)
3. Rated Current: IDC1 or IDC2, whichever value is lower
4. Storage temp. : -40°C.....+105°C
5. Operating temp.: -40°C.....+105°C (include self temp. rise)
6. Resistance to solder heat : 260°C 10sec.

NOTE : Specifications subject to change without notice. Please check our website for latest information

SMD POWER INDUCTORS" LowProfile"

SERIE: DLI3020 3,0 x 3,0 x 2,0 mm



ELECTRICAL CHARACTERISTICS

Part. No.	Inductance (uH)		Test Frequency (Hz)	RDC (mΩ) ± 20%	IDC (A)	IDC (2)	Marking
-----------	-----------------	--	----------------------	------------------	---------	---------	---------

DLI3020 - 1R5SWE	1,5	30%	0,1V / 100K	64	1,8	1,7	C
DLI3020 - 2R2SWE	2,2	30%	0,1V / 100K	87	1,4	1,45	E
DLI3020 - 3R3SWE	3,3	30%	0,1V / 100K	100	1,2	1,3	G
DLI3020 - 4R7SWE	4,7	20%	0,1V / 100K	150	1	1,15	I
DLI3020 - 6R8SWE	6,8	20%	0,1V / 100K	180	0,87	1,05	K
DLI3020 - 100SWE	10,0	20%	0,1V / 100K	240	0,6	0,85	M
DLI3020 - 470SWE	47,0	20%	0,1V / 100K	1410	0,32	0,35	U
DLI3020 - 680SWE	68,0	20%	0,1V / 100K	1640	0,27	0,3	W

NOTE : Specifications subject to change without notice. Please check our website for latest information.