

SMD POWER INDUCTORS" LowProfile"

SERIE: DLI4012 4,0 x 4,0 x 1,2 mm

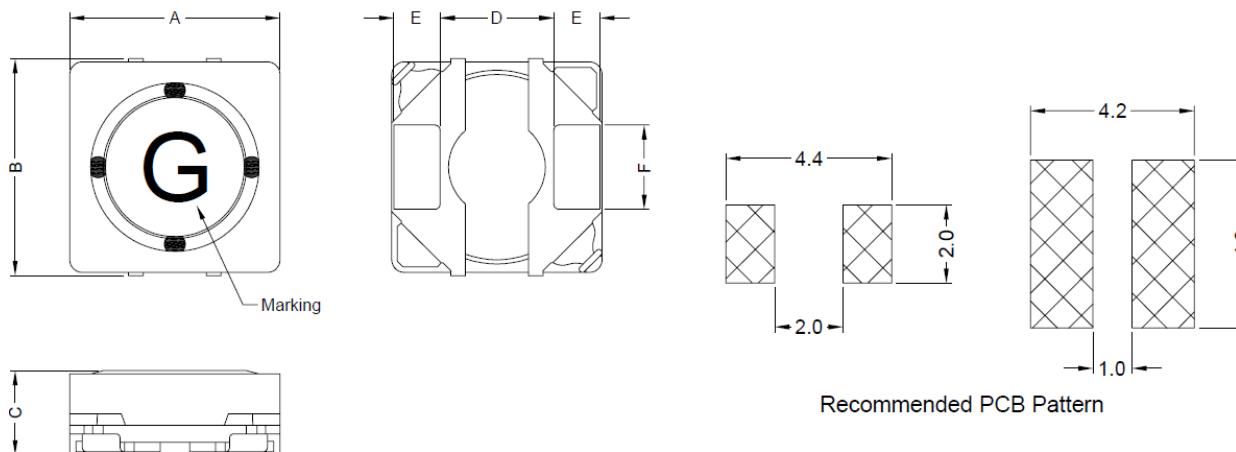


DIMENSIONS:

VPE: 3000 pcs.



RoHS Compliant



Unit:m/m

A	B	C	D	E	F	G
4.0±0.2	4.0±0.3	1.2 Max.	2.1 Typ	0.96 Typ	1.6 Typ	1.1 Typ

SCHEMATIC:



MATERIALS:

Core: Ferrite

GENERAL SPECIFICATION :

1. IDC1: Based on inductance change ($\Delta L/L_0A : \leq 30\%$) @ ambient temp. 25°C
2. IDC2: Based on temperature rise ($\Delta T: 40^\circ\text{C Typ.}$)
3. Rated Current: IDC1 or IDC2, whichever value is lower
4. Storage temp. : -40°C.....+105°C
5. Operating temp.: -40°C.....+105°C (include self temp. rise)
6. Resistance to solder heat : 260°C 10sec.

NOTE : Specifications subject to change without notice. Please check our website for latest information

SMD POWER INDUCTORS" LowProfile"

SERIE: DLI4012 4,0 x 4,0 x 1,2 mm



ELECTRICAL CHARACTERISTICS

Part. No.	Inductance (uH)		Test Frequency (Hz)	RDC (mΩ) ± 20%	IDC (A)	IDC (2)	Marking
-----------	-----------------	--	----------------------	------------------	---------	---------	---------

DLI4012 - 1R2SWE	1,2	30%	0,1V / 100K	57	2	2	B
DLI4012 - 1R5SWE	1,5	30%	0,1V / 100K	67	1,7	1,8	C
DLI4012 - 2R2SWE	2,2	30%	0,1V / 100K	84	1,5	1,55	E
DLI4012 - 3R3SWE	3,3	30%	0,1V / 100K	100	1,3	1,25	G
DLI4012 - 4R7SWE	4,7	20%	0,1V / 100K	140	1,1	1,15	I
DLI4012 - 6R8SWE	6,8	20%	0,1V / 100K	170	1,0	1,05	K
DLI4012 - 8R2SWE	8,2	20%	0,1V / 100K	210	0,9	1,0	L
DLI4012 - 100SWE	10,0	20%	0,1V / 100K	260	0,75	0,9	M
DLI4012 - 120SWE	12,0	20%	0,1V / 100K	300	0,66	0,85	N
DLI4012 - 150SWE	15,0	20%	0,1V / 100K	390	0,7	0,75	O
DLI4012 - 180SWE	18,0	20%	0,1V / 100K	450	0,6	0,6	P
DLI4012 - 220SWE	22,0	20%	0,1V / 100K	650	0,57	0,5	Q
DLI4012 - 270SWE	27,0	20%	0,1V / 100K	750	0,48	0,4	R
DLI4012 - 330SWE	33,0	20%	0,1V / 100K	850	0,39	0,45	S

NOTE : Specifications subject to change without notice. Please check our website for latest information.