

# SMD POWER INDUCTORS" LowProfile"

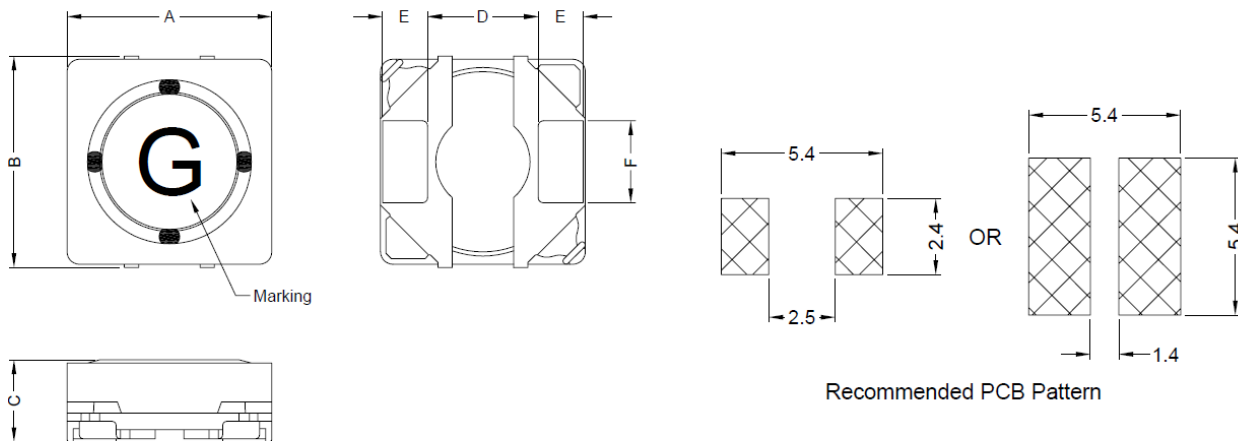
**SERIE:** DLI5015 5,0 x 5,0 x 1,5 mm

## DIMENSIONS:

VPE: 3000 pcs.



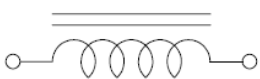
RoHS Compliant



Unit:m/m

A	B	C	D	E	F	G
5.0±0.2	5.0±0.3	1.5 Max.	2.7 Typ	1.16 Typ	2.0 Typ	1.5 Typ

## SCHEMATIC:



## MATERIALS:

Core: Ferrite

## GENERAL SPECIFICATION :

1. IDC1: Based on inductance change ( $\Delta L/L0A : \leq 30\%$ ) @ ambient temp. 25°C
2. IDC2: Based on temperature rise ( $\Delta T: 40^\circ\text{C Typ.}$ )
3. Rated Current: IDC1 or IDC2, whichever value is lower
4. Storage temp. : -40°C.....+105°C
5. Operating temp.: -40°C.....+105°C ( include self temp. rise )
6. Resistance to solder heat : 260°C 10sec.

*NOTE : Specifications subject to change without notice. Please check our website for latest information*

# SMD POWER INDUCTORS" LowProfile"

**SERIE:** DLI5015 5,0 x 5,0 x 1,5 mm



## ELECTRICAL CHARACTERISTICS

Part. No.	Inductance (uH)		Test Frequency ( Hz)	RDC ( mΩ ) ± 20%	IDC (A)	IDC (2)	Marking
-----------	-----------------	--	----------------------	------------------	---------	---------	---------

<b>DLI5015 - 2R7SWE</b>	2,7	30%	0,1V / 100K	67	1,7	2	F
<b>DLI5015 - 3R3SWE</b>	3,3	30%	0,1V / 100K	76	1,5	1,8	G
<b>DLI5015 - 4R7SWE</b>	4,7	20%	0,1V / 100K	94	1,2	1,6	I
<b>DLI5015 - 6R8SWE</b>	6,8	20%	0,1V / 100K	110	1	1,5	K

*NOTE : Specifications subject to change without notice. Please check our website for latest information.*