

SMD POWER INDUCTORS

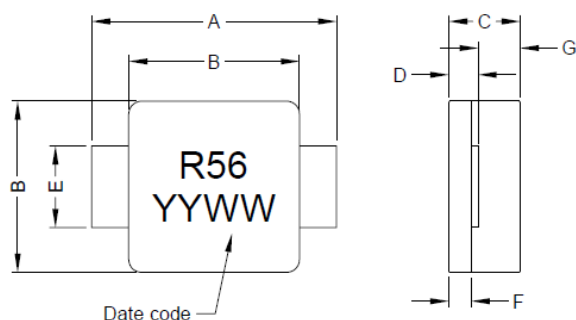
SERIE: HPC01036 14,3 x 10,0 x 3,4 mm

DIMENSIONS:

VPE: 500 pcs.



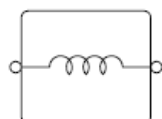
RoHS Compliant



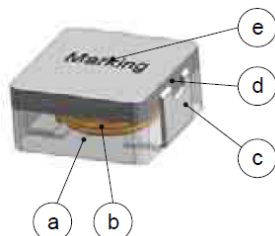
Unit:m/m

A	B	C	D	E	F	G
14.3±0.3	10.0±0.3	3.4±0.2	1.2±0.2	3.0±0.3	0~1.1	2.2±0.2

SCHEMATIC:



MATERIALS :



- (a) Core : Magnetic metal powder or equivalent
- (b) Wire : Polyester wire or equivalent
- (c) Solder Plating : 100% Pb free solder
- (d) Paint : Epoxy resin
- (e) Ink : Halogen-free ketone

GENERAL SPECIFICATION:

1. Test Freq. : L : 100KHz./1V
2. Ambient Temp.: 25°C
3. Operating Temp. : - 40°C to + 125°C
4. Storage Temp. : -40°C to + 125°C
5. Humidity Range: 50~60% RH (Product without taping)
6. Heat Rated Current (I_{rms}) : Will cause the coil temp. rise approximately Δt to 40°C (keep 1min)
7. Saturation Current (I_{sat}) : Will cause L0 to drop ≤ 20% (keep quickly)
8. Part Temperature (Ambient + Temp. Rise) : Should not exceed 125°C under worst case operating conditions

NOTE : Specifications subject to change without notice. Please check our website for latest information

SMD POWER INDUCTORS

SERIE: HPC01036 14,3 x 10,0 x 3,4 mm



COILS ■ ELEKTRONIK ■ TRANSFORMERS

ELECTRICAL CHARACTERISTICS

Part No.	Inductance L0 (μH) $\pm 20\%$ @ 0A	DCR ($\text{m}\Omega$) Max. @ 25°C	DCR ($\text{m}\Omega$) Typ. @ 25°C	I _{rms} (A) Typ.	I _{sat} (A) Typ.
HPC01036 - R10SWE	0,10	0,4	0,33	41,5	75
HPC01036 - R15SWE	0,15	0,98	0,70	36,5	66
HPC01036 - R22SWE	0,22	1,32	1,22	31,5	58
HPC01036 - R33SWE	0,33	1,20	0,9	28	50,5
HPC01036 - R47SWE	0,47	2,4	1,8	24	42
HPC01036 - R56SWE	0,56	2,82	2,4	21,5	39
HPC01036 - R68SWE	0,68	3,32	3,0	20	36
HPC01036 - R82SWE	0,82	3,44	3,10	19,5	35,5
HPC01036 - 1R0SWE	1,00	3,741	3,45	18,5	34
HPC01036 - 1R5SWE	1,50	5,84	6,41	15	27
HPC01036 - 3R3SWE	3,30	15,5	14,4	9	16,5
HPC01036 - 4R7SWE	4,70	23,5	21,8	7,5	13,5

NOTE : Specifications subject to change without notice. Please check our website for latest information