

# SMD POWER INDUCTORS

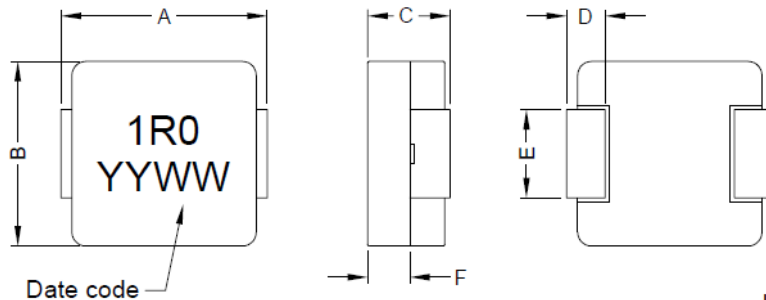
**SERIE:** HPC0605 7,3 x 6,6 x 4,8 mm

## DIMENSIONS:

VPE: 800 pcs.



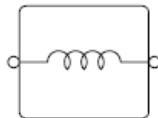
RoHS Compliant



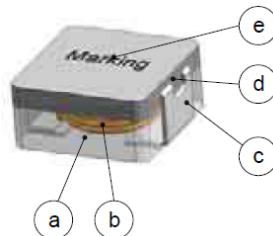
Unit:m/m

A	B	C	D	E	F
7.3±0.3	6.6±0.3	4.8±0.2	1.8±0.30	3.0±0.30	0~3.0

## SCHEMATIC:



## MATERIALS :



- (a) Core : Magnetic metal powder or equivalent
- (b) Wire : Polyester wire or equivalent
- (c) Solder Plating : 100% Pb free solder
- (d) Paint : Epoxy resin
- (e) Ink : Halogen-free ketone

## GENERAL SPECIFICATION:

1. Test Freq. : L : 100KHz./1V
2. Ambient Temp.: 25°C
3. Operating Temp. : - 40°C to + 125°C
4. Storage Temp. : -40°C to + 125°C
5. Humidity Range: 50~60% RH ( Product without taping )
6. Heat Rated Current ( I<sub>rms</sub> ) : Will cause the coil temp. rise approximately Δt to 40°C (keep 1min )
7. Saturation Current ( I<sub>sat</sub> ) : Will cause L0 to drop ≤ 20% (keep quickly )
8. Part Temperature ( Ambient + Temp. Rise ) : Should not exceed 125°C under worst case operating conditions

*NOTE : Specifications subject to change without notice. Please check our website for latest information*

# SMD POWER INDUCTORS

**SERIE:** HPC0605 7,3 x 6,6 x 4,8 mm



## ELECTRICAL CHARACTERISTICS

Part No.	Inductance L0 ( $\mu\text{H}$ ) $\pm 20\%$ @ 0A	DCR ( $\text{m}\Omega$ ) Max. @ 25°C	DCR ( $\text{m}\Omega$ ) Typ. @ 25°C	I <sub>rms</sub> (A) Typ.	I <sub>sat</sub> (A) Typ.
HPC0605 - R47SWE	0,47	3,9	3,5	22	30
HPC0605 - R56SWE	0,56	4,2	3,6	20	27
HPC0605 - R68SWE	0,68	4,5	4,0	18	24
HPC0605 - 1R0SWE	1,00	6,5	6,1	15	20
HPC0605 - 1R2SWE	1,20	7,5	6,7	14	18
HPC0605 - 1R5SWE	1,50	9,0	8,6	12	16,5
HPC0605 - 2R2SWE	2,20	12,0	11,2	10	14
HPC0605 - 3R3SWE	3,30	20,9	19	8	12
HPC0605 - 4R7SWE	4,70	30,8	28	6,5	10
HPC0605 - 5R6SWE	5,60	49	43,5	6,0	9,0
HPC0605 - 6R8SWE	6,80	51,5	48	5,5	8,5
HPC0605 - 8R2SWE	8,20	63	56	5,0	8,0
HPC0605 - 100SWE	10,0	69	60	4,0	7,5

NOTE : Specifications subject to change without notice. Please check our website for latest information