

# SMD POWER INDUCTORS

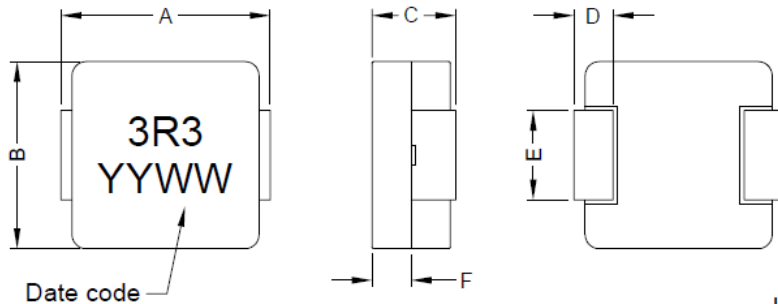
**SERIE:** HPC0618 7,0 x 6,6 x 1,6 mm

## DIMENSIONS:

VPE: 2000 pcs.



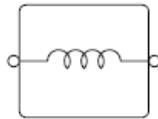
RoHS Compliant



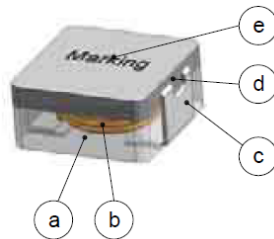
Unit:m/m

A	B	C	D	E	F
7.0±0.3	6.6±0.3	1.6±0.2	1.8±0.3	3.0±0.3	0~1.2

## SCHEMATIC:



## MATERIALS :



- (a) Core : Magnetic metal powder or equivalent
- (b) Wire : Polyester wire or equivalent
- (c) Solder Plating : 100% Pb free solder
- (d) Paint : Epoxy resin
- (e) Ink : Halogen-free ketone

## GENERAL SPECIFICATION:

1. Test Freq. : L : 100KHz./1V
2. Ambient Temp.: 25°C
3. Operating Temp. : - 40°C to + 125°C
4. Storage Temp. : -40°C to + 125°C
5. Humidity Range: 50~60% RH ( Product without taping )
6. Heat Rated Current ( I<sub>rms</sub> ) : Will cause the coil temp. rise approximately Δt to 40°C (keep 1min )
7. Saturation Current ( I<sub>sat</sub> ) : Will cause L0 to drop ≤ 20% (keep quickly )
8. Part Temperature ( Ambient + Temp. Rise ) : Should not exceed 125°C under worst case operating conditions

*NOTE : Specifications subject to change without notice. Please check our website for latest information*

# SMD POWER INDUCTORS

**SERIE:** HPC0618 7,0 x 6,6 x 1,6 mm



## ELECTRICAL CHARACTERISTICS

Part No.	Inductance L0 ( $\mu\text{H}$ ) $\pm 20\%$ @ 0A	DCR ( $\text{m}\Omega$ ) Max. @ 25°C	DCR ( $\text{m}\Omega$ ) Typ. @ 25°C	I <sub>rms</sub> (A) Typ.	I <sub>sat</sub> (A) Typ.
HPC0618 - R33SWE	0,33	5,8	4,8	14	22
HPC0618 - R47SWE	0,47	7,4	6,4	12	18
HPC0618 - R68SWE	0,68	11,0	9,5	10	17
HPC0618 - 1R0SWE	1,00	17,0	14,5	7,0	14
HPC0618 - 1R5SWE	1,50	25,2	21	6,0	13
HPC0618 - 2R2WE	2,20	35,0	31	6,0	11
HPC0618 - 3R3SWE	3,30	46,0	40	5,0	9,0
HPC0618 - 4R7SWE	4,70	76,0	68	4,0	7,0
HPC0618 - 5R6SWE	5,60	86,0	78	3,5	6,0
HPC0618 - 6R8SWE	6,80	104	93	3,0	5,5
HPC0618 - 8R2SWE	8,20	140	123	2,6	4,5
HPC0618 - 100SWE	10,0	160	143	2,3	3,5

NOTE : Specifications subject to change without notice. Please check our website for latest information