

LOW cost power inductor

SERIE: NLC1004 10,0 x 9,0 x 4,0 mm

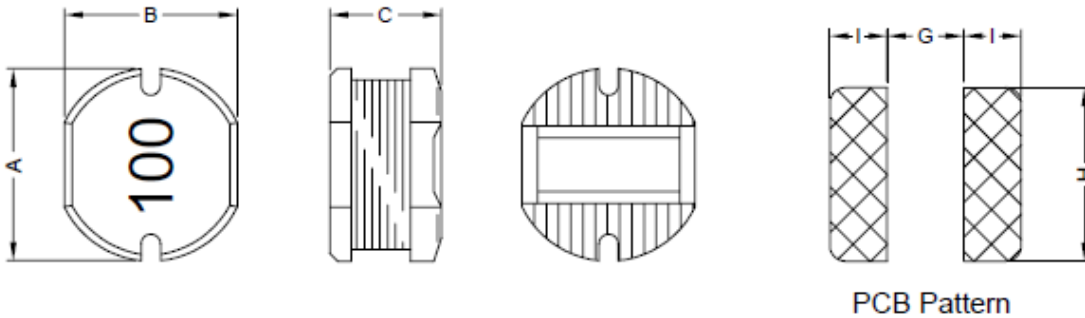
DIMENSIONS:

VPE: 800pcs.

VPE: 500pcs.



RoHS Compliant

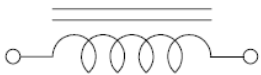


PCB Pattern

Unit: mm

| A | B | C | G | H | I |
|----------|---------|---------|-----------|-----------|-----------|
| 10.0±0.3 | 9.0±0.3 | 4.0±0.5 | 2.50 Ref. | 9.50 Ref. | 3.75 Ref. |

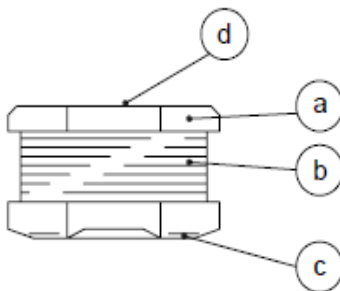
SCHEMATIC:



GENERAL SPECIFICATION :

- 1- Temp. Rise : 40°C Max
- 2- Rated current: Base on temp. rise & $\Delta L/\Delta L_{0A} = 10\%$ Max
- 3- Storage temp.: -40 to + 125°C
- 4- Operating temp.: -40° to + 85°C
- 5- Resistance to solder heat: 260°C 10sec.

Materials :



- (a) Core : DRT Ferrite Core
- (b) Wire : Enamelled Copper Wire
- (c) Terminal : Ag+Cu+Ni+Sn
- (d) Ink : Bon Margue

NOTE : Specifications subject to change without notice. Please check our website for latest information.

LOW cost power inductor

SERIE: NLC1004 10,0 x 9,0 x 4,0 mm



ELECTRICAL CHARACTERISTICS:

| Part No. | Inductance (μH) | Test Frequency (Hz.) | Rdc (Ω) Max. | IDC (A) Max. |
|------------------|---------------------------------|------------------------------|-----------------------------|----------------------|
| NLC1004 – 100SWE | 10 \pm 20% | 2,52M | 0,053 | 2,38 |
| NLC1004 - 120SWE | 12 \pm 20% | 2,52M | 0,061 | 2,13 |
| NLC1004 - 150SWE | 15 \pm 20% | 2,52M | 0,070 | 1,87 |
| NLC1004 - 180SWE | 18 \pm 20% | 2,52M | 0,081 | 1,73 |
| NLC1004 - 220SWE | 22 \pm 20% | 2,52M | 0,088 | 1,60 |
| NLC1004 - 270SWE | 27 \pm 20% | 2,52M | 0,100 | 1,44 |
| NLC1004 - 330SWE | 33 \pm 20% | 2,52M | 0,120 | 1,26 |
| NLC1004 - 390SWE | 39 \pm 20% | 2,52M | 0,151 | 1,20 |
| NLC1004 - 470SWE | 47 \pm 10% | 2,52M | 0,170 | 1,10 |
| NLC1004 - 560SWE | 56 \pm 10% | 2,52M | 0,199 | 1,01 |
| NLC1004 - 680SWE | 68 \pm 10% | 2,52M | 0,223 | 0,91 |
| NLC1004 - 820SWE | 82 \pm 10% | 2,52M | 0,252 | 0,85 |
| NLC1004 - 101SWE | 100 \pm 10% | 1V /1K | 0,344 | 0,74 |
| NLC1004 - 121SWE | 120 \pm 10% | 1V /1K | 0,396 | 0,69 |
| NLC1004 - 151SWE | 150 \pm 10% | 1V /1K | 0,544 | 0,61 |
| NLC1004 - 181SWE | 180 \pm 10% | 1V /1K | 0,621 | 0,56 |
| NLC1004 - 221SWE | 220 \pm 10% | 1V /1K | 0,721 | 0,53 |
| NLC1004 - 271SWE | 270 \pm 10% | 1V /1K | 0,949 | 0,45 |
| NLC1004 - 331SWE | 330 \pm 10% | 1V /1K | 1,100 | 0,42 |
| NLC1004 - 391SWE | 390 \pm 10% | 1V /1K | 1,245 | 0,38 |
| NLC1004 - 471SWE | 470 \pm 10% | 1V /1K | 1,526 | 0,35 |
| NLC1004 - 561SWE | 560 \pm 10% | 1V /1K | 1,904 | 0,32 |

NOTE : Specifications subject to change without notice. Please check our website for latest information.