

SMD POWER INDUCTORS

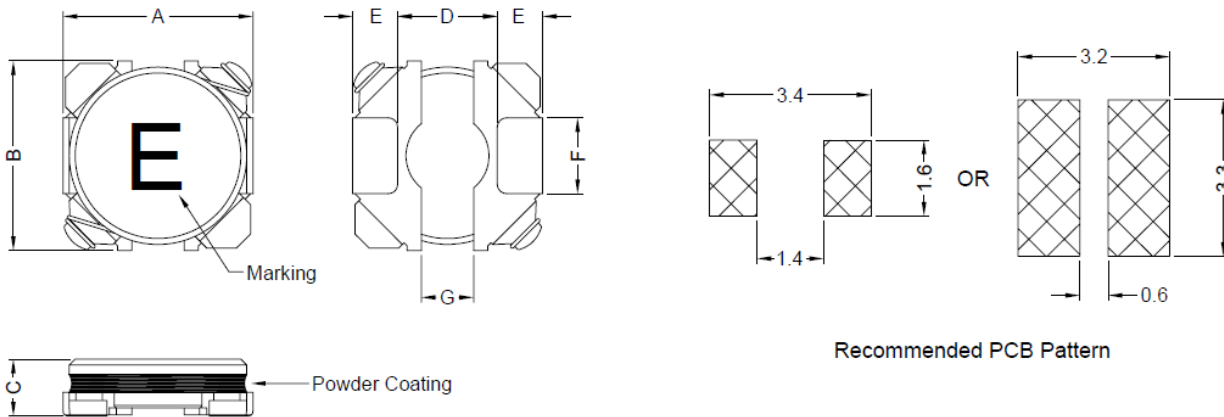
SERIE: PCF3010 3,0 x 2,9 x 1,0 mm

DIMENSIONS:

VPE: 3000 pcs.



RoHS Compliant



Recommended PCB Pattern

Unit:m/m

A	B	C	D	E	F	G
3.0±0.2	2.9±0.2	1.0 Max.	1.5 Typ.	0.76 Typ.	1.2 Typ.	0.7 Typ.

SCHEMATIC:



MATERIALS:

Core: Ferrite

GENERAL SPECIFICATION :

1. IDC1: Based on inductance change ($\Delta L/L_0A : \leq 30\%$) @ ambient temp. 25°C
2. IDC2: Based on temperature rise ($\Delta T: 40^\circ\text{C Typ.}$)
3. Rated Current: IDC1 or IDC2, whichever value is lower
4. Storage temp. : -40°C.....+105°C
5. Operating temp.: -40°C.....+105°C (include self temp. rise)
6. Resistance to solder heat : 260°C 10sec.

NOTE : Specifications subject to change without notice. Please check our website for latest information

SMD POWER INDUCTORS

SERIE: PCF3010 3,0 x 2,9 x 1,0 mm



COILS ■ ELEKTRONIK ■ TRANSFORMERS

ELECTRICAL CHARACTERISTICS

Part. No.	Inductance (uH)		Test Frequency (Hz)	RDC (mΩ) ± 20%	IDC (A)	IDC (2)	Marking
-----------	-----------------	--	----------------------	------------------	---------	---------	---------

PCF3010 - 1R0SWE	1,0	30%	0,1V / 100K	64	1,50	1,70	A
PCF3010 - 1R2SWE	1,2	30%	0,1V / 100K	72	1,30	1,60	B
PCF3010 - 1R5SWE	1,5	30%	0,1V / 100K	86	1,10	1,45	C
PCF3010 - 2R2SWE	2,2	30%	0,1V / 100K	120	0,95	1,25	E
PCF3010 - 3R3SWE	3,3	30%	0,1V / 100K	170	0,80	1,00	G
PCF3010 - 3R9SWE	3,9	30%	0,1V / 100K	200	0,70	0,90	H
PCF3010 - 4R7SWE	4,7	20%	0,1V / 100K	250	0,65	0,85	I
PCF3010 - 5R6SWE	5,6	20%	0,1V / 100K	300	0,60	0,78	J
PCF3010 - 6R8SWE	6,8	20%	0,1V / 100K	350	0,55	0,70	K
PCF3010 - 8R2SWE	8,2	20%	0,1V / 100K	400	0,50	0,65	L
PCF3010 - 100SWE	10	20%	0,1V / 100K	490	0,45	0,60	M
PCF3010 - 150SWE	15	20%	0,1V / 100K	680	0,38	0,50	O
PCF3010 - 220SWE	22	20%	0,1V / 100K	1000	0,33	0,40	Q

NOTE : Specifications subject to change without notice. Please check our website for latest information.