

SMD POWER INDUCTORS

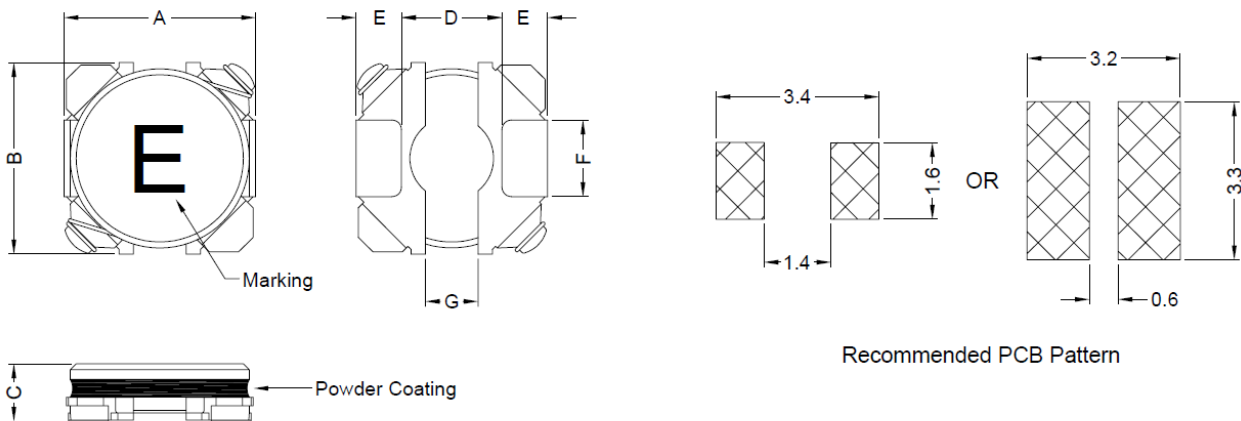
SERIE: PCF3015 3,0 x 2,9 x 1,5 mm

DIMENSIONS:

VPE: 3000 pcs.



RoHS Compliant



Unit:m/m

A	B	C	D	E	F	G
3.0±0.2	2.9±0.2	1.5 Max.	1.5 Typ.	0.76 Typ.	1.2 Typ.	0.7 Typ.

SCHEMATIC:



MATERIALS:

Core: Ferrite

GENERAL SPECIFICATION :

1. IDC1: Based on inductance change ($\Delta L/L_0A : \leq 30\%$) @ ambient temp. 25°C
2. IDC2: Based on temperature rise ($\Delta T: 40^\circ\text{C Typ.}$)
3. Rated Current: IDC1 or IDC2, whichever value is lower
4. Storage temp. : -40°C.....+105°C
5. Operating temp.: -40°C.....+105°C (include self temp. rise)
6. Resistance to solder heat : 260°C 10sec.

NOTE : Specifications subject to change without notice. Please check our website for latest information

SMD POWER INDUCTORS

SERIE: PCF3015 3,0 x 2,9 x 1,5 mm



ELECTRICAL CHARACTERISTICS

Part. No.	Inductance (uH)		Test Frequency (Hz)	RDC (mΩ) ± 20%	IDC (A)	IDC (2)	Marking
-----------	-----------------	--	----------------------	------------------	---------	---------	---------

PCF3015 - R68SWE	0,68	30%	0,1V / 100K	38	3,40	2,00	8
PCF3015 - 1R0SWE	1,0	30%	0,1V / 100K	44	3,00	1,85	A
PCF3015 - 1R2SWE	1,2	30%	0,1V / 100K	55	2,50	1,70	B
PCF3015 - 1R5SWE	1,5	30%	0,1V / 100K	71	2,20	1,55	C
PCF3015 - 1R8SWE	1,8	30%	0,1V / 100K	79	2,00	1,45	D
PCF3015 - 2R2SWE	2,2	30%	0,1V / 100K	99	1,90	1,35	E
PCF3015 - 2R7SWE	2,7	30%	0,1V / 100K	110	1,70	1,30	F
PCF3015 - 3R3SWE	3,3	30%	0,1V / 100K	120	1,60	1,25	G
PCF3015 - 4R7SWE	4,7	20%	0,1V / 100K	180	1,30	1,05	I
PCF3015 - 5R6SWE	5,6	20%	0,1V / 100K	200	1,20	1,00	J
PCF3015 - 6R8SWE	6,8	20%	0,1V / 100K	220	1,10	0,95	K
PCF3015 - 100SWE	10	20%	0,1V / 100K	330	0,95	0,75	M
PCF3015 - 150SWE	15	20%	0,1V / 100K	540	0,70	0,60	M
PCF3015 - 220SWE	22	20%	0,1V / 100K	780	0,65	0,42	O
PCF3015 - 470SWE	47	20%	0,1V / 100K	1680	0,40	0,26	Q

NOTE : Specifications subject to change without notice. Please check our website for latest information.