

# SMD POWER INDUCTORS

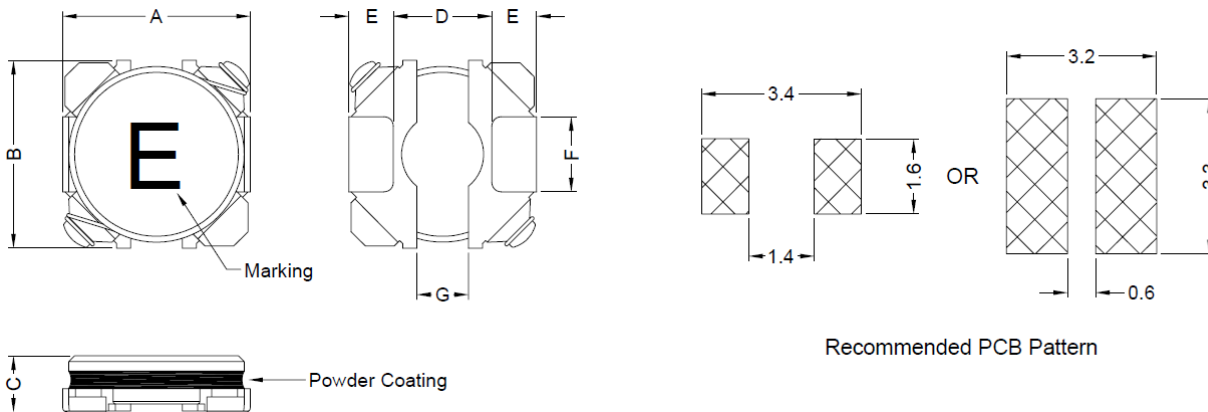
**SERIE:** PCF3020 3,0 x 2,9 x 2,0 mm

## DIMENSIONS:

VPE: 3000 pcs.



RoHS Compliant



Recommended PCB Pattern

Unit:m/m

A	B	C	D	E	F	G
3.0±0.2	2.9±0.2	2.0 Max.	1.5 Typ.	0.76 Typ.	1.2 Typ.	0.7 Typ.

## SCHEMATIC:



## MATERIALS:

Core: Ferrite

## GENERAL SPECIFICATION :

1. IDC1: Based on inductance change ( $\Delta L/L_{0A}$  :  $\leq 30\%$  ) @ ambient temp. 25°C
2. IDC2: Based on temperature rise ( $\Delta T$ : 40°C Typ.)
3. Rated Current: IDC1 or IDC2, whichever value is lower
4. Storage temp. : -40°C.....+105°C
5. Operating temp.: -40°C.....+105°C ( include self temp. rise )
6. Resistance to solder heat : 260°C 10sec.

*NOTE : Specifications subject to change without notice. Please check our website for latest information*

# SMD POWER INDUCTORS

**SERIE:** PCF3020 3,0 x 2,9 x 2,0 mm



COILS ■ ELEKTRONIK ■ TRANSFORMERS

## ELECTRICAL CHARACTERISTICS

Part. No.	Inductance (uH)		Test Frequency (Hz)	RDC ( mΩ ) ± 20%	IDC (A)	IDC (2)	Marking
-----------	-----------------	--	---------------------	------------------	---------	---------	---------

PCF3020 - 1R0SWE	1,0	30%	0,1V / 100K	51	3,60	1,75	A
PCF3020 - 1R5SWE	1,5	30%	0,1V / 100K	72	2,90	1,55	C
PCF3020 - 2R2SWE	2,2	30%	0,1V / 100K	89	2,50	1,40	E
PCF3020 - 3R3SWE	3,3	30%	0,1V / 100K	130	1,90	1,20	G
PCF3020 - 4R7SWE	4,7	20%	0,1V / 100K	170	1,60	1,05	I
PCF3020 - 6R8SWE	6,8	20%	0,1V / 100K	260	1,30	0,88	K
PCF3020 - 8R2SWE	8,2	20%	0,1V / 100K	320	1,20	0,79	L
PCF3020 - 100SWE	10	20%	0,1V / 100K	360	1,10	0,73	M
PCF3020 - 150SWE	15	20%	0,1V / 100K	570	0,90	0,57	O
PCF3020 - 220SWE	22	20%	0,1V / 100K	890	0,74	0,40	Q
PCF3020 - 330SWE	33	20%	0,1V / 100K	1110	0,62	0,36	S
PCF3020 - 470SWE	47	20%	0,1V / 100K	1710	0,50	0,25	U
PCF3020 - 680SWE	68	20%	0,1V / 100K	2240	0,28	0,20	W

NOTE : Specifications subject to change without notice. Please check our website for latest information.