

SMD POWER INDUCTORS

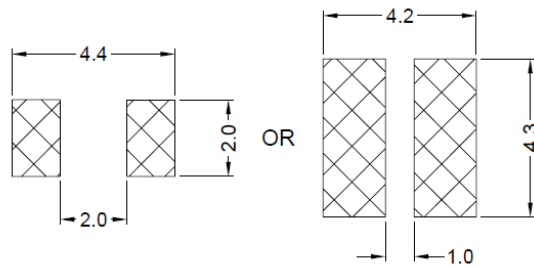
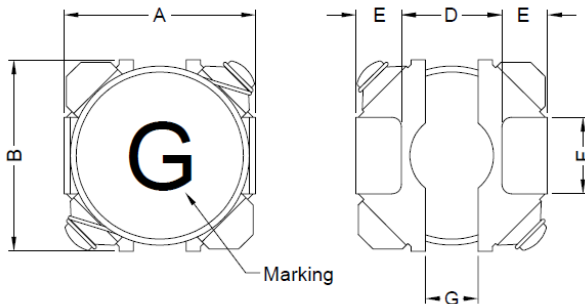
SERIE: PCF4012 4,0 x 3,9 x 1,2 mm

DIMENSIONS:

VPE: 3000 pcs.



RoHS Compliant



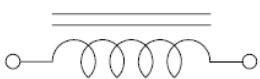
Recommended PCB Pattern



Unit:m/m

A	B	C	D	E	F	G
4.0±0.2	3.9±0.2	1.2 Max.	2.1 Typ	0.96 Typ	1.6 Typ	1.1 Typ

SCHEMATIC:



MATERIALS:

Core: Ferrite

GENERAL SPECIFICATION :

1. IDC1: Based on inductance change ($\Delta L/L_{0A}$: $\leq 30\%$) @ ambient temp. 25°C
2. IDC2: Based on temperature rise (ΔT : 40°C Typ.)
3. Rated Current: IDC1 or IDC2, whichever value is lower
4. Storage temp. : -40°C.....+105°C
5. Operating temp.: -40°C.....+105°C (include self temp. rise)
6. Resistance to solder heat : 260°C 10sec.

NOTE : Specifications subject to change without notice. Please check our website for latest information

SMD POWER INDUCTORS

SERIE: PCF4012 4,0 x 3,9 x 1,2 mm



ELECTRICAL CHARACTERISTICS

Part. No.	Inductance (uH)		Test Frequency (Hz)	RDC (mΩ) ± 20%	IDC (A)	IDC (2)	Marking
PCF4012 - 1R0SWE	1,0	30%	0,1V / 100K	42	2,30	1,90	A
PCF4012 - 1R5SWE	1,5	30%	0,1V / 100K	57	1,90	1,70	C
PCF4012 - 2R2SWE	2,2	30%	0,1V / 100K	86	1,50	1,55	E
PCF4012 - 3R3SWE	3,3	30%	0,1V / 100K	100	1,30	1,40	G
PCF4012 - 4R7SWE	4,7	20%	0,1V / 100K	130	1,10	1,25	I
PCF4012 - 6R8SWE	6,8	20%	0,1V / 100K	180	0,95	1,05	K
PCF4012 - 100SWE	10,0	20%	0,1V / 100K	280	0,75	0,80	M
PCF4012 - 150SWE	15,0	20%	0,1V / 100K	390	0,65	0,70	O
PCF4012 - 220SWE	22,0	20%	0,1V / 100K	530	0,55	0,60	Q
PCF4012 - 330SWE	33,0	20%	0,1V / 100K	850	0,45	0,40	S
PCF4012 - 470SWE	47,0	20%	0,1V / 100K	1140	0,38	0,35	U

NOTE : Specifications subject to change without notice. Please check our website for latest information.