

SMD POWER INDUCTORS

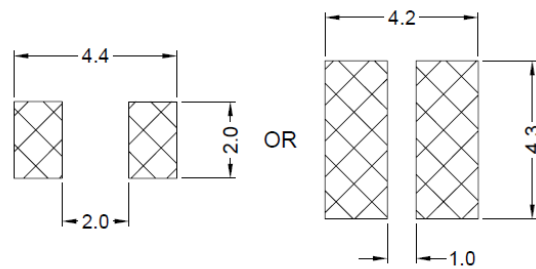
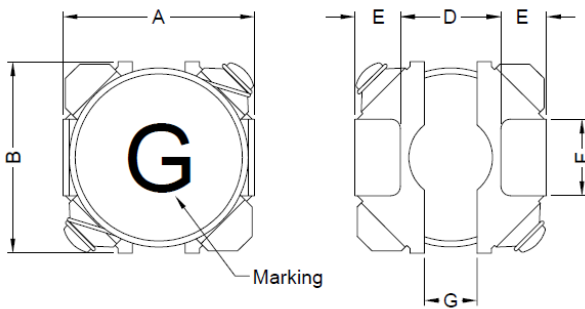
SERIE: PCF4015 4,0 x 3,9 x 1,5 mm

DIMENSIONS:

VPE: 3000 pcs.



RoHS Compliant



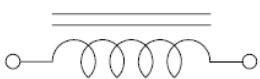
Recommended PCB Pattern



Unit:m/m

A	B	C	D	E	F	G
4.0±0.2	3.9±0.2	1.5 Max.	2.1 Typ	0.96 Typ	1.6 Typ	1.1 Typ

SCHEMATIC:



MATERIALS:

Core: Ferrite

GENERAL SPECIFICATION :

1. IDC1: Based on inductance change ($\Delta L/L_0A : \leq 30\%$) @ ambient temp. 25°C
2. IDC2: Based on temperature rise ($\Delta T: 40^\circ\text{C Typ.}$)
3. Rated Current: IDC1 or IDC2, whichever value is lower
4. Storage temp. : -40°C.....+105°C
5. Operating temp.: -40°C.....+105°C (include self temp. rise)
6. Resistance to solder heat : 260°C 10sec.

NOTE : Specifications subject to change without notice. Please check our website for latest information

SMD POWER INDUCTORS

SERIE: PCF4015 4,0 x 3,9 x 1,5 mm



COILS ■ ELEKTRONIK ■ TRANSFORMERS

ELECTRICAL CHARACTERISTICS

Part. No.	Inductance (uH)		Test Frequency (Hz)	RDC (mΩ) ± 20%	IDC (A)	IDC (2)	Marking
-----------	-----------------	--	----------------------	------------------	---------	---------	---------

PCF4015 - 1R0SWE	1,0	30%	0,1V / 100K	48	3,60	1,85	A
PCF4015 - 1R5SWE	1,5	30%	0,1V / 100K	57	2,90	1,70	C
PCF4015 - 2R2SWE	2,2	30%	0,1V / 100K	66	2,50	1,60	E
PCF4015 - 3R3SWE	3,3	30%	0,1V / 100K	94	2,20	1,45	G
PCF4015 - 4R7SWE	4,7	20%	0,1V / 100K	120	1,90	1,30	I
PCF4015 - 6R8SWE	5,7	20%	0,1V / 100K	140	1,60	1,20	J
PCF4015 - 100SWE	6,8	20%	0,1V / 100K	170	1,40	1,10	K
PCF4015 - 150SWE	10	20%	0,1V / 100K	230	1,10	0,95	M
PCF4015 - 220SWE	15	20%	0,1V / 100K	350	0,90	0,75	O
PCF4015 - 330SWE	22	20%	0,1V / 100K	490	0,80	0,63	Q
PCF4015 - 470SWE	47	20%	0,1V / 100K	1080	0,55	0,50	U
PCF4015 - 101SWE	100	20%	0,1V / 100K	2460	0,33	0,38	Y

NOTE : Specifications subject to change without notice. Please check our website for latest information.