

SMD POWER INDUCTORS

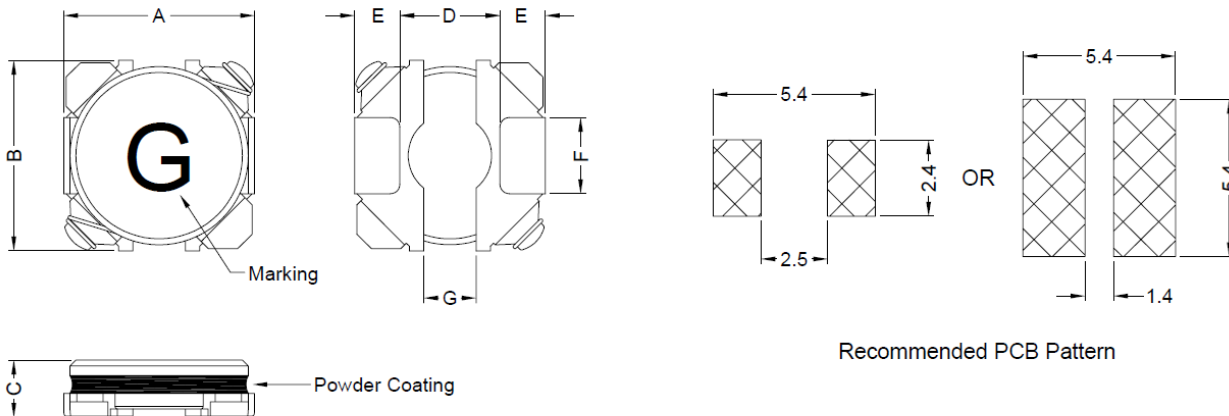
SERIE: PCF5015 5,0 x 4,9 x 1,5 mm

DIMENSIONS:

VPE: 3000 pcs.



RoHS Compliant



Unit:m/m

A	B	C	D	E	F	G
5.0±0.2	4.9±0.2	1.5 Max.	2.7 Typ.	1.16 Typ.	2.0 Typ.	1.5 Typ.

SCHEMATIC:



MATERIALS:

Core: Ferrite

GENERAL SPECIFICATION :

1. IDC1: Based on inductance change ($\Delta L/L0A : \leq 30\%$) @ ambient temp. 25°C
2. IDC2: Based on temperature rise ($\Delta T: 40^\circ\text{C Typ.}$)
3. Rated Current: IDC1 or IDC2, whichever value is lower
4. Storage temp. : -40°C.....+105°C
5. Operating temp.: -40°C.....+105°C (include self temp. rise)
6. Resistance to solder heat : 260°C 10sec.

NOTE : Specifications subject to change without notice. Please check our website for latest information

SMD POWER INDUCTORS

SERIE: PCF5015 5,0 x 4,9 x 1,5 mm



ELECTRICAL CHARACTERISTICS

Part. No.	Inductance (uH)		Test Frequency (Hz)	RDC (mΩ) ± 20%	IDC (A)	IDC (2)	Marking
-----------	-----------------	--	----------------------	------------------	---------	---------	---------

PCF5015 - 1R0SWE	1,0	30%	0,1V / 100K	52	3,50	2,05	A
PCF5015 - 1R5SWE	1,5	30%	0,1V / 100K	61	3,00	1,90	C
PCF5015 - 2R2SWE	2,2	30%	0,1V / 100K	71	2,50	1,75	E
PCF5015 - 3R3SWE	3,3	30%	0,1V / 100K	92	2,10	1,65	G
PCF5015 - 4R7SWE	4,7	20%	0,1V / 100K	100	1,90	1,55	I
PCF5015 - 6R8SWE	6,8	20%	0,1V / 100K	140	1,60	1,35	K
PCF5015 - 100SWE	10	20%	0,1V / 100K	210	1,30	1,10	M
PCF5015 - 150SWE	15	20%	0,1V / 100K	280	1,00	0,97	O
PCF5015 - 220SWE	22	20%	0,1V / 100K	400	0,80	0,79	Q
PCF5015 - 330SWE	33	20%	0,1V / 100K	610	0,65	0,60	S
PCF5015 - 470SWE	47	20%	0,1V / 100K	850	0,55	0,51	U

NOTE : Specifications subject to change without notice. Please check our website for latest information.