

SMD POWER INDUCTOR

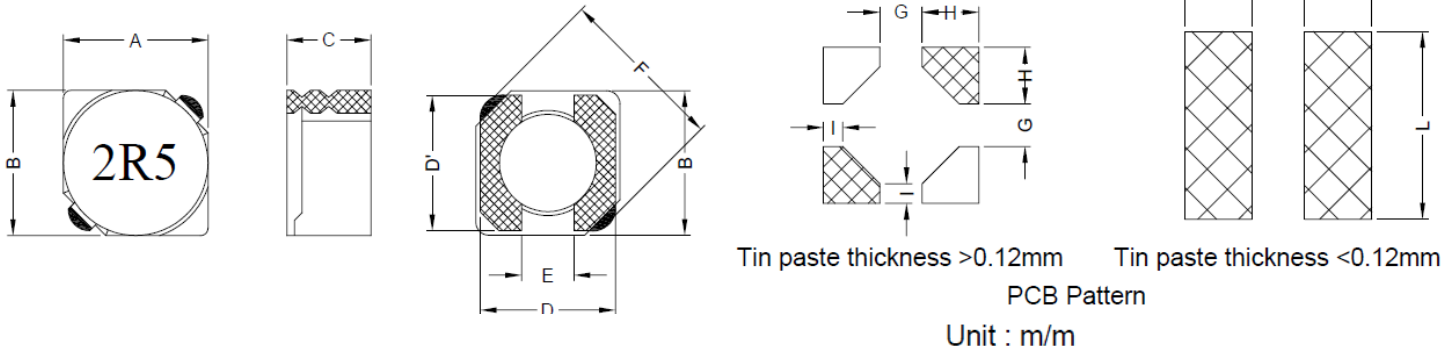
SERIE: QLC0402 4,7 x 4,7 x 2,0 mm

DIMENSIONS:

VPE: 3000pcs.

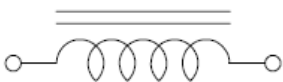


RoHS Compliant



A	B	C	D	D'	E	F
4.70±0.3	4.70±0.3	2.00 Max.	4.50 Ref.	4.50 Ref.	1.50 Ref.	6.90 Max.
G	H	I	J	K	L	
1.70 Ref.	1.80 Ref.	0.80 Ref.	1.90 Ref.	1.50 Ref.	5.30 Ref.	

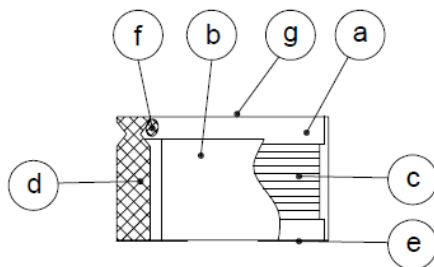
SCHEMATIC:



GENERAL SPECIFICATION :

- 1- Temp. rise: 40°C Max. at rated current
- 2- Operating temp. : -40°C to +85°C
- 3- Storage temp. : -40°C to +125°C
- 4- Rated current: Base on temp. rise & $\Delta L/L0A=35\%$ Max.
- 5- Resistance to solder heat: 260°C. 10sec.

MATERIALS:



- (a) Core : DR Ferrite Core
- (b) Core : RI Ferrite Core
- (c) Wire : Enamelled Copper Wire
- (d) Terminal : Au+Ni Copper Plate
- (e) Adhesive : Epoxy
- (f) Adhesive : Epoxy
- (g) Ink : Bon Margue

NOTE : Specifications subject to change without notice. Please check our website for latest information.

SMD POWER INDUCTOR

SERIE: QLC0402 4,7 x 4,7 x 2,0 mm



ELECTRICAL CHARACTERISTICS:

Part No.	Inductance (uH)	Tolerance	Test Frequency (Hz)	RDC (mΩ) Max	IDC (A) Max.
QLC0402 - 1R0	1,0	± 30%	0,5V / 7,96M	45	1,72
QLC0402 - 2R2	2,2	± 30%	0,5V / 7,96M	75	1,32
QLC0402 - 2R7	2,7	± 30%	0,5V / 7,96M	105	1,28
QLC0402 - 3R3	3,3	± 30%	0,5V / 7,96M	110	1,04
QLC0402 - 3R9	3,9	± 30%	0,5V / 7,96M	155	0,88
QLC0402 - 4R7	4,7	± 30%	0,5V / 7,96M	162	0,84
QLC0402 - 5R6	5,6	± 30%	0,5V / 7,96M	170	0,80
QLC0402 - 6R8	6,8	± 30%	0,5V / 7,96M	180	0,76
QLC0402 - 8R2	8,2	± 30%	0,5V / 7,96M	190	0,68
QLC0402 - 100	10	± 30%	0,5V / 100K	200	0,61
QLC0402 - 120	12	± 30%	0,5V / 100K	210	0,56
QLC0402 - 150	15	± 30%	0,5V / 100K	240	0,50
QLC0402 - 180	18	± 30%	0,5V / 100K	338	0,48
QLC0402 - 220	22	± 30%	0,5V / 100K	397	0,41
QLC0402 - 270	27	± 30%	0,5V / 100K	441	0,35
QLC0402 - 330	33	± 30%	0,5V / 100K	694	0,32
QLC0402 - 390	39	± 30%	0,5V / 100K	709	0,30

NOTE : Specifications subject to change without notice. Please check our website for latest information.