

# SMD POWER INDUCTOR

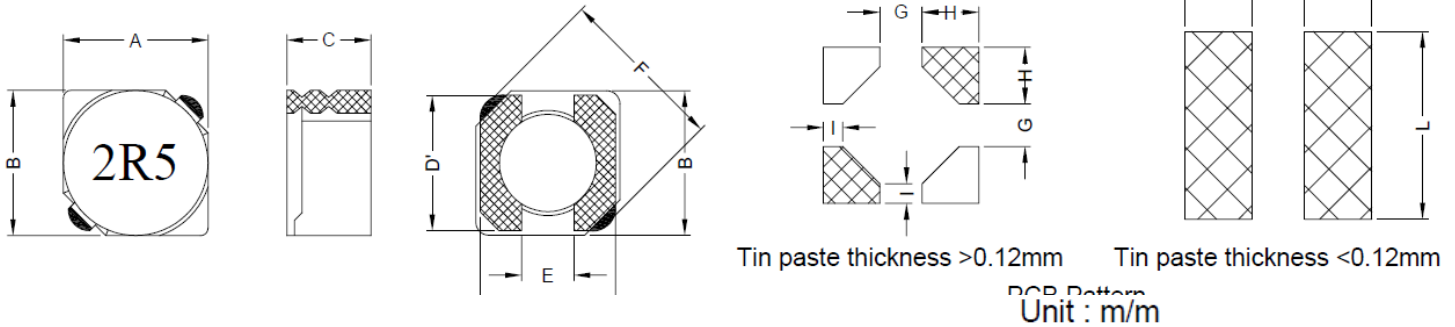
**SERIE:** QLC0502 5,7 x 5,7 x 2,0 mm

## DIMENSIONS:

VPE: 2000pcs.

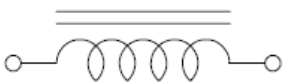


RoHS Compliant



A	B	C	D	D'	E	F
5.70±0.3	5.70±0.3	2.00 Max.	5.50 Ref.	5.50 Ref.	2.00 Ref.	8.20 Max.
G	H	I	J	K	L	
2.20 Ref.	2.05 Ref.	0.85 Ref.	2.15 Ref.	2.00 Ref.	6.30 Ref.	

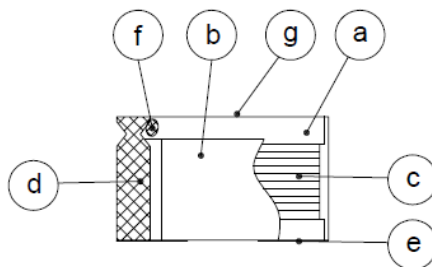
## SCHEMATIC:



## GENERAL SPECIFICATION :

- 1- Temp. rise: 40°C Max. at rated current
- 2- Operating temp. : -40°C to +85°C
- 3- Storage temp. : -40°C to +125°C
- 4- Rated current: Base on temp. rise &  $\Delta L/L0A=35\%$  Max.
- 5- Resistance to solder heat: 260°C. 10sec.

## MATERIALS:



- (a) Core : DR Ferrite Core
- (b) Core : RI Ferrite Core
- (c) Wire : Enamelled Copper Wire
- (d) Terminal : Au+Ni Copper Plate
- (e) Adhesive : Epoxy
- (f) Adhesive : Epoxy
- (g) Ink : Bon Margue

*NOTE : Specifications subject to change without notice. Please check our website for latest information.*

## **SMD POWER INDUCTOR**

**SERIE:** QLC0502 5,7 x 5,7 x 2,0 mm



### **ELECTRICAL CHARACTERISTICS:**

Part No.	Inductance (uH)	Tolerance	Test Frequency (Hz)	RDC (mΩ) Max	IDC (A) Max.
QLC0502 - 4R1	4,1	± 30%	0,5V / 10K	57	1,95
QLC0502 - 5R4	5,4	± 30%	0,5V / 100K	76	1,60
QLC0502 - 6R2	6,2	± 30%	0,5V / 100K	96	1,40
QLC0502 - 8R9	8,9	± 30%	0,5V / 100K	116	1,25
QLC0502 - 100	10	± 30%	0,5V / 100K	124	1,20
QLC0502 - 120	12	± 30%	0,5V / 100K	153	1,10
QLC0502 - 150	15	± 30%	0,5V / 100K	196	0,97
QLC0502 - 180	18	± 30%	0,5V / 100K	210	0,85
QLC0502 - 220	22	± 30%	0,5V / 100K	290	0,80
QLC0502 - 270	27	± 30%	0,5V / 100K	330	0,75
QLC0502 - 330	33	± 30%	0,5V / 100K	385	0,65
QLC0502 - 390	39	± 30%	0,5V / 100K	520	0,57
QLC0502 - 470	47	± 30%	0,5V / 100K	595	0,54
QLC0502 - 560	56	± 30%	0,5V / 100K	665	0,50
QLC0502 - 680	68	± 30%	0,5V / 100K	840	0,43
QLC0502 - 820	82	± 30%	0,5V / 100K	978	0,41
QLC0502 - 101	100	± 30%	0,5V / 100K	1200	0,36

*NOTE : Specifications subject to change without notice. Please check our website for latest information.*