

# SMD POWER INDUCTOR

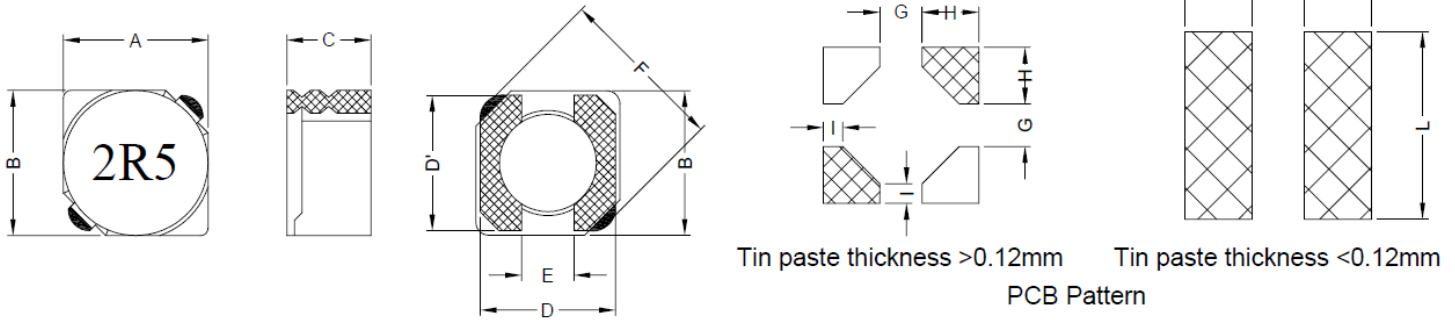
**SERIE:** QLC0503 5,7 x 5,7 x 3,0 mm

## DIMENSIONS:

VPE: 1500pcs.



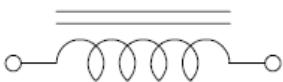
RoHS Compliant



Unit : m/m

A	B	C	D	D'	E	F
5.70±0.3	5.70±0.3	3.00 Max.	5.50 Ref.	5.50 Ref.	2.00 Ref.	8.20 Max.
G	H	I	J	K	L	
2.20 Ref.	2.05 Ref.	0.85 Ref.	2.15 Ref.	2.00 Ref.	6.30 Ref.	

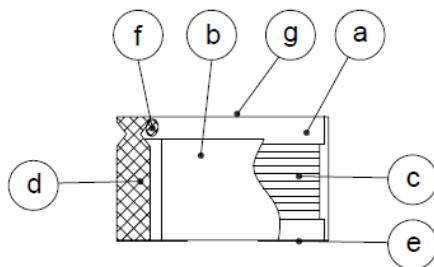
## SCHEMATIC:



## GENERAL SPECIFICATION :

- 1- Temp. rise: 40°C Max. at rated current
- 2- Operating temp. : -40°C to +85°C
- 3- Storage temp. : -40°C to +125°C
- 4- Rated current: Base on temp. rise &  $\Delta L/L0A=35\%$  Max.
- 5- Resistance to solder heat: 260°C. 10sec.

## MATERIALS:



- (a) Core : DR Ferrite Core
- (b) Core : RI Ferrite Core
- (c) Wire : Enamelled Copper Wire
- (d) Terminal : Au+Ni Copper Plate
- (e) Adhesive : Epoxy
- (f) Adhesive : Epoxy
- (g) Ink : Bon Margue

*NOTE : Specifications subject to change without notice. Please check our website for latest information.*

## **SMD POWER INDUCTOR**

**SERIE:** QLC0503 5,7 x 5,7 x 3,0 mm



### **ELECTRICAL CHARACTERISTICS:**

Part No.	Inductance (uH)	Tolerance	Test Frequency (Hz)	RDC (mΩ) Max	IDC (A) Max.
QLC0503 - 2R5	2,5	± 30%	0,5V / 10K	18	2,60
QLC0503 - 3R0	3,0	± 30%	0,5V / 10K	24	2,40
QLC0503 - 4R2	4,2	± 30%	0,5V / 10K	31	2,20
QLC0503 - 5R3	5,3	± 30%	0,5V / 10K	38	1,90
QLC0503 - 6R2	6,2	± 30%	0,5V / 10K	45	1,80
QLC0503 - 8R2	8,2	± 30%	0,5V / 10K	53	1,60
QLC0503 - 100	10	± 30%	0,5V / 10K	65	1,30
QLC0503 - 120	12	± 30%	0,5V / 10K	76	1,20
QLC0503 - 150	15	± 30%	0,5V / 10K	103	1,10
QLC0503 - 180	18	± 30%	0,5V / 10K	110	1,00
QLC0503 - 220	22	± 30%	0,5V / 10K	122	0,90
QLC0503 - 270	27	± 30%	0,5V / 10K	175	0,85
QLC0503 - 330	33	± 30%	0,5V / 10K	189	0,75
QLC0503 - 390	39	± 30%	0,5V / 10K	212	0,70
QLC0503 - 470	47	± 30%	0,5V / 10K	250	0,62
QLC0503 - 560	56	± 30%	0,5V / 10K	305	0,58
QLC0503 - 680	68	± 30%	0,5V / 10K	355	0,52
QLC0503 - 820	82	± 30%	0,5V / 10K	463	0,46
QLC0503 - 101	100	± 30%	0,5V / 10K	520	0,42

*NOTE : Specifications subject to change without notice. Please check our website for latest information.*