

SMD POWER INDUCTOR

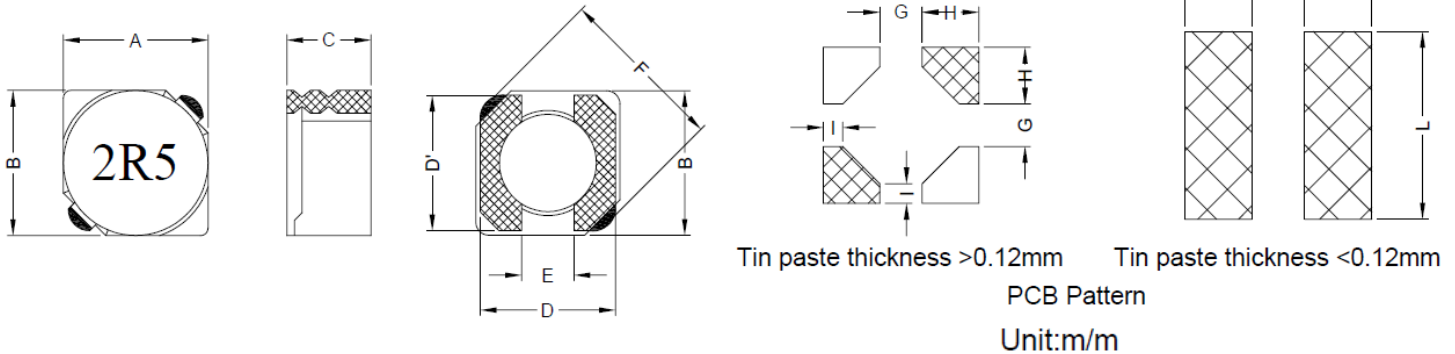
SERIE: QLC0603 6,7 x 6,7 x 3,0 mm

DIMENSIONS:

VPE: 1000pcs.

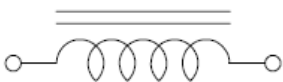


RoHS Compliant



A	B	C	D	D'	E	F
6.70±0.3	6.70±0.3	3.00 Max.	6.50 Ref.	6.50 Ref.	2.00 Ref.	9.50 Max.
G	H	I	J	K	L	
2.20 Ref.	2.55 Max.	0.95 Max.	2.65 Ref.	2.00 Ref.	7.30 Ref.	

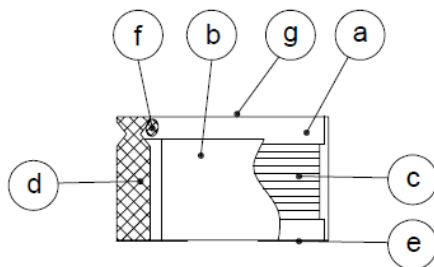
SCHEMATIC:



GENERAL SPECIFICATION :

- 1- Temp. rise: 40°C Max. at rated current
- 2- Operating temp. : -40°C to +85°C
- 3- Storage temp. : -40°C to +125°C
- 4- Rated current: Base on temp. rise & $\Delta L/L0A=35\%$ Max.
- 5- Resistance to solder heat: 260°C. 10sec.

MATERIALS:



- (a) Core : DR Ferrite Core
- (b) Core : RI Ferrite Core
- (c) Wire : Enamelled Copper Wire
- (d) Terminal : Au+Ni Copper Plate
- (e) Adhesive : Epoxy
- (f) Adhesive : Epoxy
- (g) Ink : Bon Margue

NOTE : Specifications subject to change without notice. Please check our website for latest information.

SMD POWER INDUCTOR

SERIE: QLC0603 6,7 x 6,7 x 3,0 mm



ELECTRICAL CHARACTERISTICS:

Part No.	Inductance (uH)	Tolerance	Test Frequency (Hz)	RDC (mΩ) Max	IDC (A) Max.
QLC0603 - 3R0	3,0	± 30%	0,5V / 10K	24	3,00
QLC0603 - 3R9	3,9	± 30%	0,5V / 10K	27	2,60
QLC0603 - 5R0	5,0	± 30%	0,5V / 10K	31	2,40
QLC0603 - 6R0	6,0	± 30%	0,5V / 10K	35	2,25
QLC0603 - 7R3	7,3	± 30%	0,5V / 10K	54	2,10
QLC0603 - 8R6	8,6	± 30%	0,5V / 10K	58	1,85
QLC0603 - 100	10	± 30%	0,5V / 10K	65	1,70
QLC0603 - 120	12	± 30%	0,5V / 10K	70	1,55
QLC0603 - 150	15	± 30%	0,5V / 10K	84	1,40
QLC0603 - 180	18	± 30%	0,5V / 10K	95	1,32
QLC0603 - 220	22	± 30%	0,5V / 10K	128	1,20
QLC0603 - 270	27	± 30%	0,5V / 10K	142	1,05
QLC0603 - 330	33	± 30%	0,5V / 10K	165	0,97
QLC0603 - 390	39	± 30%	0,5V / 10K	210	0,86
QLC0603 - 470	47	± 30%	0,5V / 10K	238	0,80
QLC0603 - 560	56	± 30%	0,5V / 10K	277	0,73
QLC0603 - 680	68	± 30%	0,5V / 10K	304	0,65
QLC0603 - 820	82	± 30%	0,5V / 10K	390,0	0,60
QLC0603 - 101	100	± 30%	0,5V / 10K	535,0	0,54

NOTE : Specifications subject to change without notice. Please check our website for latest information.