

RADIAL CHOKE COIL

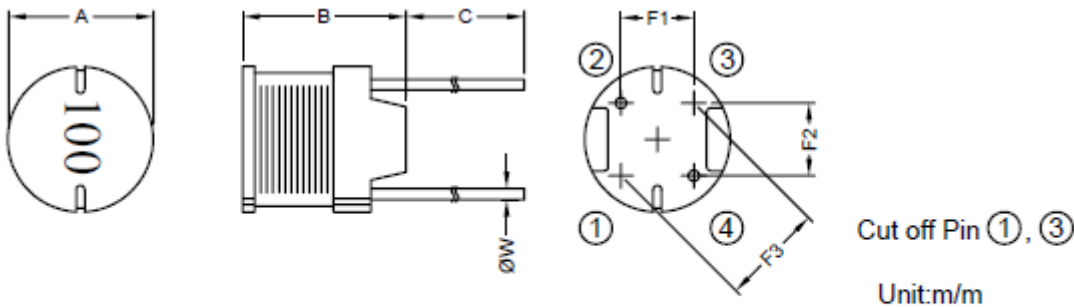
SERIE: REP1010 10,0 x 10,0 mm

DIMENSIONS:

VPE: 120 Tray



RoHS Compliant



Unit:m/m

A	B	C	F1	F2	F3	ØW
10.0±0.5	10.0±0.5	15.0±3.0	4.0±0.5	5.0±0.5	6.4±0.5	0.65±0.10

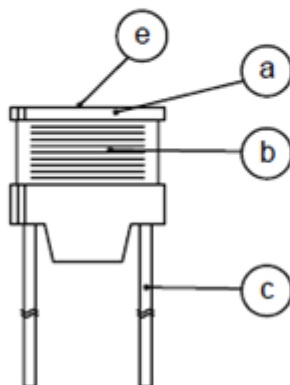
SCHEMATIC:



GENERAL SPECIFICATION :

1. The inductance drop at rated is 10% max.
2. Temp. rise. 40°C max. at rated current.
3. Storage temp.: -40°C.....+105°C
4. Operating temp.: -40°C.... +85°C

MATERIALS:



- (a) Core : DR Ferrite Core
- (b) Wire : Enamelled Copper Wire
- (c) Lead : Tinned Copper Wire
- (d) Adhesive : Epoxy
- (e) Ink : Bon Margue

NOTE : Specifications subject to change without notice. Please check our website for latest information

RADIAL CHOKE COIL

SERIE: REP1010 10,0 x 10,0 mm



ELECTRICAL CHARACTERISTICS

Part. No.	Inductance (uH)		Test Frequency (Hz)	RDC (Ω)	IDC (A)
-----------	-----------------	--	----------------------	-----------	---------

REP1010 - 100SWE	10	10%	2,52M	0,022	5,30
REP1010 - 120SWE	12	10%	2,52M	0,023	4,90
REP1010 - 150SWE	15	10%	2,52M	0,026	4,40
REP1010 - 180SWE	18	10%	2,52M	0,033	4,00
REP1010 - 220SWE	22	10%	2,52M	0,037	3,60
REP1010 - 270SWE	27	10%	2,52M	0,048	3,30
REP1010 - 330SWE	33	10%	2,52M	0,055	2,90
REP1010 - 390SWE	39	10%	2,52 M	0,073	2,70
REP1010 - 470SWE	47	10%	2,52 M	0,083	2,50
REP1010 - 560SWE	56	10%	2,52 M	0,09	2,30
REP1010 - 680SWE	68	10%	2,52 M	0,12	2,10
REP1010 - 820SWE	82	10%	2,52 M	0,14	1,90
REP1010 - 101SWE	100	10%	1K	0,16	1,70
REP1010 - 121SWE	120	10%	1K	0,20	1,50
REP1010 - 151SWE	150	10%	1K	0,23	11,40
REP1010 - 181SWE	180	10%	1K	0,31	1,30
REP1010 - 221SWE	220	10%	1K	0,34	1,10
REP1010 - 271SWE	270	10%	1K	0,40	1,00
REP1010 - 331SWE	330	10%	1K	0,52	0,93
REP1010 - 391SWE	390	10%	1K	0,65	0,86
REP1010 - 471SWE	470	10%	1k	0,71	0,78
REP1010 - 561SWE	560	10%	1k	1,00	0,71
REP1010 - 681SWE	680	10%	1k	1,10	0,65
REP1010 - 821SWE	820	10%	1k	1,30	0,59
REP1010- 102SWE	1000	10%	1k	1,70	0,53

NOTE : Specifications subject to change without notice. Please check our website for latest information.