

# RADIAL CHOKE COIL

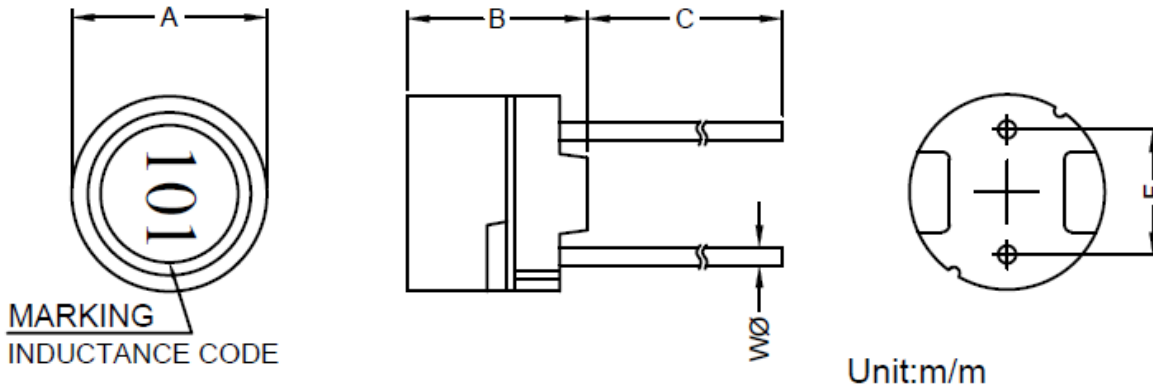
**SERIE:** RPC0807 7.8 x 7.5 mm

## DIMENSIONS:

VPE: 300 pcs. BOX

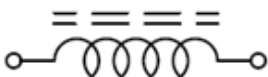


RoHS Compliant



A	B	C	F	WØ
7.80±0.5	7.50 Max.	15.00±3.0	5.00±0.5	0.65±0.10

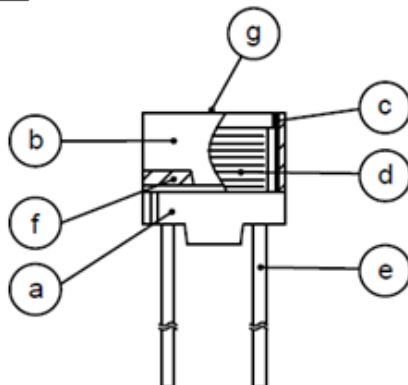
## SCHEMATIC:



## GENERAL SPECIFICATION :

1. The inductance drop at rated is 10% max.
2. Temp. rise. 40°C max. at rated current.
3. Storage temp.: -40°C.....+125°C
4. Operating temp.: -40°C.... +85°C

## MATERIALS:



- (a) DR CORE
- (b) RI CORE
- (c) SLEEVE
- (d) WIRE
- (e) LEAD
- (f) ADHESIVE
- (g) INK

NOTE : Specifications subject to change without notice. Please check our website for latest information

# **RADIAL CHOKE COIL**

**SERIE:** RPC0807 7.8 x 7.5 mm



## **ELECTRICAL CHARACTERISTICS**

Part. No.	Inductance (uH)		Test Frequency ( Hz)	RDC ( Ω )	IDC (A)
RPC0807 - 220SWE	22	15%	1V / 2,52M	0,08	1,60
RPC0807 - 270SWE	27	15%	1V / 2,52M	0,10	1,40
RPC0807 - 330SWE	33	15%	1V / 2,52M	0,14	1,30
RPC0807 - 390SWE	39	15%	1V / 2,52M	0,15	1,20
RPC0807 - 470SWE	47	15%	1V / 2,52M	0,17	1,10
RPC0807 - 560SWE	56	10%	1V / 2,52M	0,19	0,99
RPC0807 - 680SWE	68	10%	1V / 2,52M	0,21	0,89
RPC0807 - 820SWE	82	10%	1V / 2,52M	0,27	0,81
RPC0807 - 101SWE	100	10%	1V / 1K	0,32	0,74
RPC0807 - 121SWE	120	10%	1V / 1K	0,36	0,67
RPC0807 - 151SWE	150	10%	1V / 1K	0,51	0,60
RPC0807 - 181SWE	180	10%	1V / 1K	0,57	0,55
RPC0807 - 221SWE	220	10%	1V / 1K	0,76	0,50
RPC0807 - 271SWE	270	10%	1V / 1K	0,86	0,45
RPC0807 - 331SWE	330	10%	1V / 1K	0,97	0,41
RPC0807 - 391SWE	390	10%	1V / 1K	1,28	0,37
RPC0807 - 471SWE	470	10%	1V / 1K	1,44	0,34
RPC0807 - 561SWE	560	10%	1V / 1K	1,61	0,31
RPC0807 - 681SWE	680	10%	1V / 1K	2,07	0,28
RPC0807 - 821SWE	820	10%	1V / 1K	2,33	0,26
RPC0807 - 102SWE	1000	10%	1V / 1K	2,72	0,23

*NOTE : Specifications subject to change without notice. Please check our website for latest information.*