

RADIAL CHOKE COIL

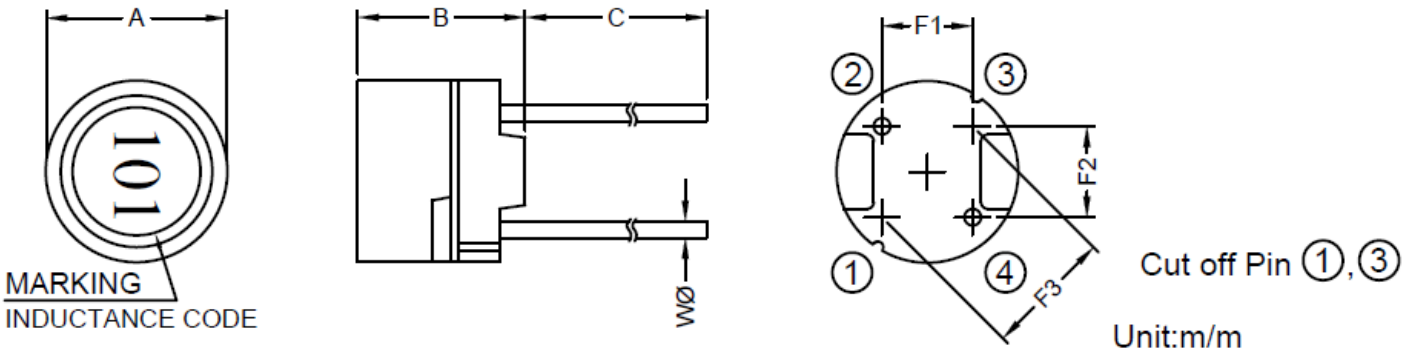
SERIE: RPC1008 10,0 x 8,0 mm

DIMENSIONS:

VPE: 150 pcs. BOX

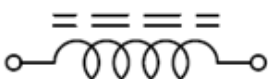


RoHS Compliant



A	B	C	F1	F2	F3	WØ
10.00±0.5	8.00±0.5	15.00±3.0	4.00±0.5	5.00±0.5	6.40±0.5	0.80±0.10

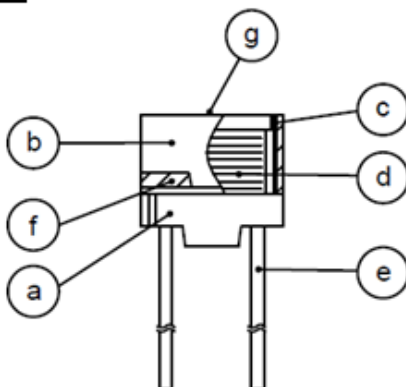
SCHEMATIC:



GENERAL SPECIFICATION :

1. The inductance drop at rated is 10% max.
2. Temp. rise. 40°C max. at rated current.
3. Storage temp.: -40°C.....+125°C
4. Operating temp.: -40°C.... +85°C

MATERIALS:



- (a) DR CORE
- (b) RI CORE
- (c) SLEEVE
- (d) WIRE
- (e) LEAD
- (f) ADHESIVE
- (g) INK

NOTE : Specifications subject to change without notice. Please check our website for latest information

RADIAL CHOKE COIL

SERIE: RPC1008 10,0 x 8,0 mm



ELECTRICAL CHARACTERISTICS

Part. No.	Inductance (uH)		Test Frequency (Hz)	RDC (Ω)	IDC (A)
-----------	-----------------	--	-----------------------	-----------	-----------

RPC1008 - 100SWE	10	20%	1V / 2,52M	0,05	2,80
RPC1008 - 120SWE	12	20%	1V / 2,52M	0,06	2,50
RPC1008 - 150SWE	15	20%	1V / 2,52M	0,07	2,30
RPC1008 - 180SWE	18	20%	1V / 2,52M	0,08	2,10
RPC1008 - 220SWE	22	20%	1V / 2,52M	0,09	2,00
RPC1008 - 270SWE	27	20%	1V / 2,52M	0,10	1,76
RPC1008 - 330SWE	33	20%	1V / 2,52M	0,11	1,60
RPC1008 - 390SWE	39	20%	1V / 2,52M	0,12	1,38
RPC1008 - 470SWE	47	20%	1V / 2,52M	0,14	1,28
RPC1008 - 560SWE	56	10%	1V / 2,52M	0,15	1,20
RPC1008 - 680SWE	68	10%	1V / 2,52M	0,16	1,00
RPC1008 - 820SWE	82	10%	1V / 2,52M	0,18	0,96
RPC1008 - 101SWE	100	10%	1V / 1K	0,20	0,92
RPC1008 - 121SWE	120	10%	1V / 1K	0,24	0,80
RPC1008 - 151SWE	150	10%	1V / 1K	0,35	0,73
RPC1008 - 181SWE	180	10%	1V / 1K	0,40	0,64
RPC1008 - 221SWE	220	10%	1V / 1K	0,54	0,61
RPC1008 - 271SWE	270	10%	1V / 1K	0,76	0,56
RPC1008 - 331SWE	330	10%	1V / 1K	0,86	0,50
RPC1008 - 391SWE	390	10%	1V / 1K	0,93	0,44
RPC1008 - 471SWE	470	10%	1V / 1K	1,23	0,41
RPC1008 - 561SWE	560	10%	1V / 1K	1,34	0,38
RPC1008 - 681SWE	680	10%	1V / 1K	1,53	0,34
RPC1008 - 821SWE	820	10%	1V / 1K	2,10	0,32
RPC1008 - 102SWE	1000	10%	1V / 1K	2,30	0,28

NOTE : Specifications subject to change without notice. Please check our website for latest information.