

# HIGH CURRENT MOLDED POWER INDUCTORS

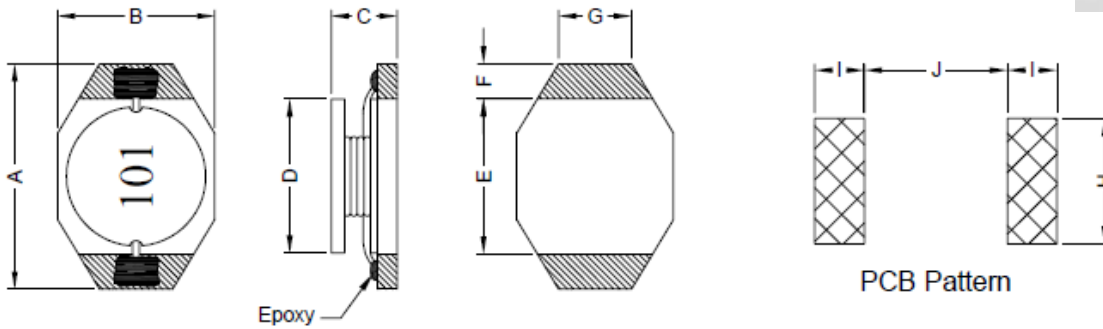
**SERIE:** TLC1608 6,60 x 4,45 x 2,92 mm

## DIMENSIONS:

VPE: 2000pcs.



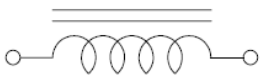
RoHS Compliant



Unit: mm

A	B	C	D	E	F	G	H	I	J
6.60 Max.	4.45 Max.	2.92 Max.	3.94 Ref.	4.32 Ref.	1.02 Ref.	1.27 Ref.	3.56 Ref.	1.40 Ref.	4.06 Ref.

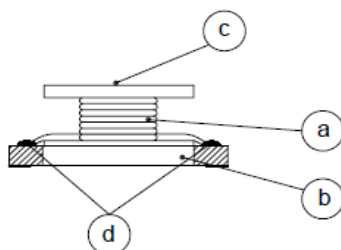
## SCHEMATIC:



## GENERAL SPECIFICATION :

- 1- Test Frequency: 100KHz. 0,1Vrms , 0 Adc
- 2-  $\Delta L/\Delta L_0A = 10\%$  Typ. at  $I_{dc}$
- 3- Storage temp.: - 40°C to + 125°C
- 4- Operating temp.: - 40°C to + 85°C
- 5- Resistance to solder heat : 260°C 10sec.

## Materials :



- (a) Wire
- (b) Base
- (c) Ink
- (d) Epoxy

NOTE : Specifications subject to change without notice. Please check our website for latest information

## HIGH CURRENT MOLDED POWER INDUCTORS

**SERIE:** TLC1608 6,60 x 4,45 x 2,92 mm



### ELECTRICAL CHARACTERISTICS:

Part No.	Inductance ( $\mu\text{H}$ ) $\pm 20\%$	Test Frequency ( Hz. )	Rdc ( $\text{m}\Omega$ ) $\pm 15\%$	IDC ( A )
TLC01608 - 1R0SWE	1,0	0,1V / 100K	50	2,9
TLC01608 - 1R5SWE	1,5	0,1V / 100K	60	2,6
TLC01608 - 2R2SWE	2,2	0,1V / 100K	70	2,3
TLC01608 - 2R7SWE	2,7	0,1V / 100K	80	2,1
TLC01608 - 3R3SWE	3,3	0,1V / 100K	80	2,0
TLC01608 - 4R7SWE	4,7	0,1V / 100K	90	1,5
TLC01608 - 6R8SWE	6,8	0,1V / 100K	130	1,2
TLC01608 - 8R2SWE	8,2	0,1V / 100K	160	1,15
TLC01608 - 100SWE	10,0	0,1V / 100K	160	1,1
TLC01608 - 150SWE	15,0	0,1V / 100K	230	0,9
TLC01608 - 220SWE	22,0	0,1V / 100K	370	0,7
TLC01608 - 330SWE	33,0	0,1V / 100K	510	0,58
TLC01608 - 470SWE	47,0	0,1V / 100K	640	0,50
TLC01608 - 680SWE	68,0	0,1V / 100K	860	0,40
TLC01608 - 101SWE	100,0	0,1V / 100K	1270	0,31
TLC01608 - 151SWE	150,0	0,1V / 100K	2000	0,27
TLC01608 - 221SWE	220,0	0,1V / 100K	3110	0,22

*NOTE : Specifications subject to change without notice. Please check our website for latest information*