

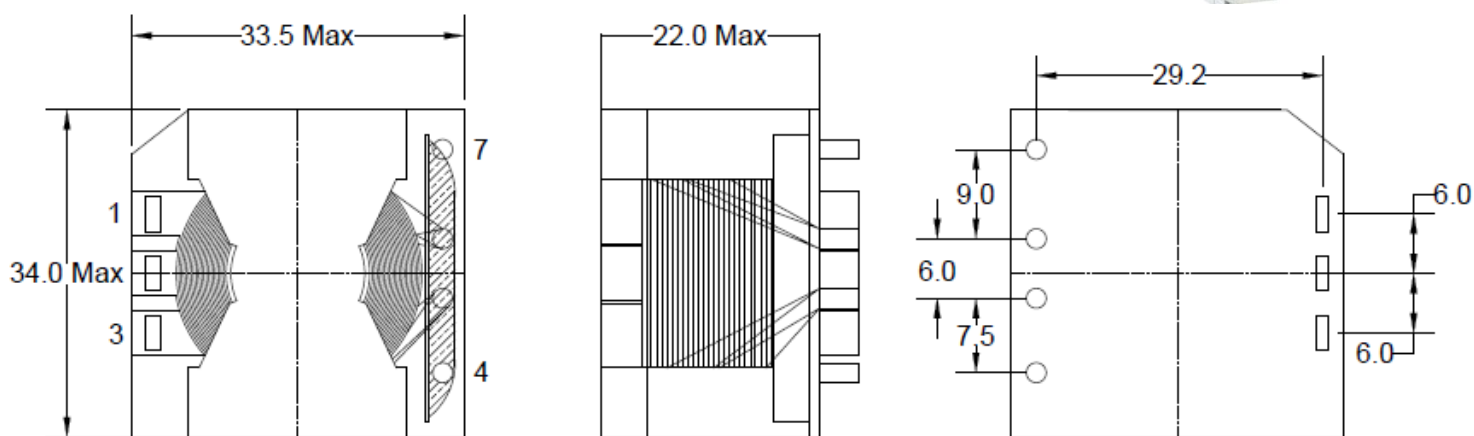
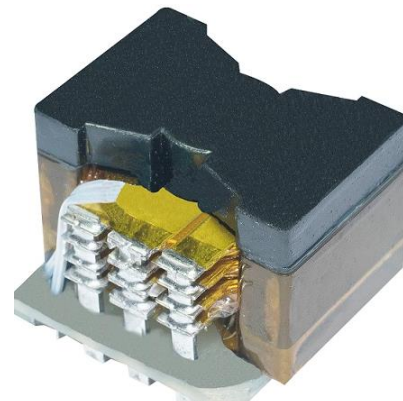
PLANAR TRANSFORMER THT

SERIE: PLA-D2 33,5 x 34 x 22mm "250W"

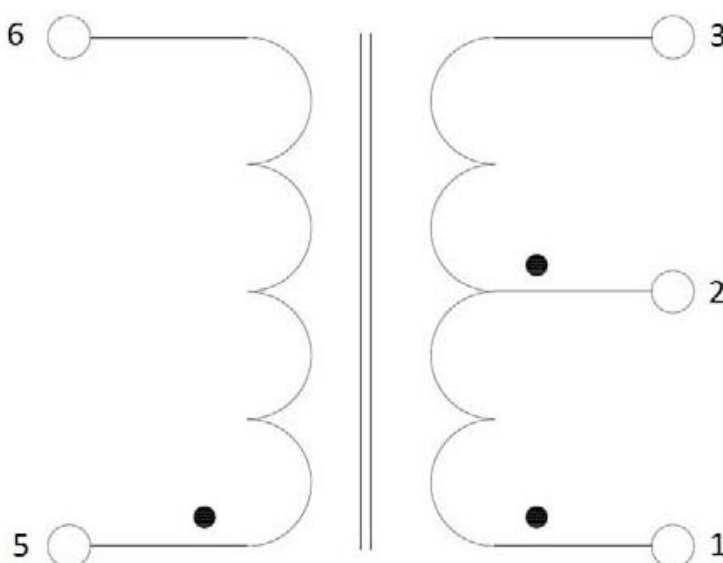
DIMENSIONS:



RoHS Compliant



SCHEMATIC:



NOTE : Specifications subject to change without notice. Please check our website for latest information

PLANAR TRANSFORMER THT

SERIE: PLA-D2 33,5 x 34 x 22mm "250W"



Features and Application:

1. Working Frequency : 50KHz. ~ 200KHz.
2. Withstand Voltage : 3750 VDC
3. Working Temperature Range: -40°C ~ 125°C
4. Maximum Output Power : 250 Watt

ELECTRICAL SPECIFICATION :

Description	Pin no	Specification
Inductance	5 – 6	0.8 mH ±10%
Leakage Inductance	5 – 6(tie 1,2,3)	6.0 uH MAX
DC Resistance	5 – 6	65 mΩ
	1 – 2	0.5 mΩ
	2 – 3	0.5 mΩ
Turns Ratio	5-6 : 1-2 : 2-3	26 : 1 : 1

NOTE : Specifications subject to change without notice. Please check our website for latest information.